



ZAKŁADY MECHANICZNO-PRECYZYJNE
MERA-BŁONIE

ul. Grodziska 15, 05-870 BŁONIE, POLSKA

DRUKARKA WIERSZOWA
ПОСТРОЧНОЕ ПЕЧАТАЮЩЕЕ УСТРОЙСТВО
СМ 6360/402

ТОМ II

Schematy elektryczne
Электрические схемы

35 IE 7000-02

SPIS TREŚCI TOMU II

| | Str. |
|---|------|
| 1. Tabela sygnałów drukarki - Arkusze 01.1 - 01.4 | 4 |
| 2. Schematy elektryczne drukarki typ 402 | |
| Arkusze 02.1 - Połączenia kablowe | 8 |
| Arkusze 03.1 - Zasilanie drukarki | 9 |
| Arkusze 04.1 - 04.2 - Mechanizm (z płytkami 35-1062 i 35-1066) | 10 |
| Arkusze 05.1 - 05.2 - Kasetka wzmacniaczy i zespołu młotków (z płytką 35-1068) | 12 |
| Arkusze 06.1 - 06.3 - Blok automatyki (z płytkami 35-1008, 35-1010, 35-1012) | 14 |
| Arkusze 07.1 - 07.2 - Zasilacze standardowe (zasilacz EZP 5V 20A i dmuchawa) | 17 |
| Arkusze 08.1 - Zasilacz zespołu młotków (z płytką 35-1020) | 19 |
| Arkusze 09.1 - Blok sterowania serwowmotorem (z płytką 35-1006) | 20 |
| Arkusze 10.1 - Pulpit operatora (z płytką 35-1018) .. | 21 |
| Arkusze 11.1 - 11.6 - Płytki kompletne 35-7104 | 22 |
| Arkusze 12.1 - Pakiet 35-7106 | 28 |
| Arkusze 13.1 - 13.2 - Pakiet 35-1004 | 29 |
| Arkusze 14.1 - Płytki kompletne 35-1024 | 31 |
| Arkusze 15.1 - 15.2 - Płytki kompletne 35-1034 | 32 |
| Arkusze 16.1 - Pakiet 70-1004 | 34 |
| Arkusze 17.1 - Pakiet 70-1006 | 35 |

СОДЕРЖАНИЕ ТОМА II

| | Стр. |
|--|------|
| 1. Таблица сигналов АЦПУ - листы 01.1 - 01.4 | 4 |
| 2. Электросхемы АЦПУ тип 402 | |
| Лист 02.1 - Схема электропроводки | 8 |
| Лист 03.1 - Питание устройства | 9 |
| Листы 04.1 - 04.2 - Печатающий механизм с платами 35-1062 и 35-1066 | 10 |
| Листы 05.1 - 05.2 - Панель усилителей и узла молотков с платой 35-1068 | 12 |
| Листы 06.1 - 06.3 - Блок автоматки с платами 35-1008, 35-1010, 35-1012 | 14 |
| Листы 07.1 - 07.2 - Стандартный блок питания (блок EZP 5V 20A и вентилятор) | 17 |
| Лист 08.1 - Блок питания молотков (с платами 35-1020) | 19 |
| Лист 09.1 - Блок управления серводвигателя с платой 35-1006) | 20 |
| Лист 10.1 - Пульт оператора (с платой 35-1018) | 21 |
| Листы 11.1 - 11.6 - Печатная плата 35-7104 | 22 |
| Лист 12.1 - Плата 35-7106 | 28 |
| Листы 13.1 - 13.2 - Плата 35-1004 | 29 |
| Лист 14.1 - Печатная плата 35-1024 | 31 |
| Листы 15.1 - 15.2 - Печатная плата 35-1034 | 32 |
| Лист 16.1 - Плата 70-1004 | 34 |
| Лист 17.1 - Плата 70-1006 | 35 |

| L.p. №п.п. | Nazwa sygnału | Наимено- вание сигнала | Skąd Откуда | Przejścia pośrednie Промежу- точные переходы | Dokąd Куда | L.p. № п. п. | Nazwa sygnału | Наимено- вание сигнала | Skąd Откуда | Przejścia pośrednie Промежу- точные переходы | Dokąd Куда | |
|---------------|------------------|------------------------------|----------------|--|---------------|-----------------|------------------|------------------------------|----------------|--|---------------|---------|
| 1 | 2 | 3 | 4 | 5 | 6 | 1 | 2 | 3 | 4 | 5 | 6 | |
| 1 | PARITY ERROR | Как в графе 2 | ZE2-80/m | ZF3-13/24 | 7106/9 | 28 | - STBE | Как в графе 2 | 7106/44 | ZF1-35/19 | ZE2-24/m | |
| 2 | - WYGOT | | ZE1-2/m | ZP6-5/21 | 1034/M2-13 | 29 | READY | | ZE2-42/m | ZF3-9/10 | 7106/16 | |
| 3 | + FIN | | ZE2-35/m | ZF1-39/23 | 7106/36 | 30 | + WDE | | ZE2-41/m | ZF3-47/31 | 7106/14 | |
| 4 | | | | ZF1-34/18 | ZE2-7 m | 31 | + PA | | ZE1-3 | ZP6-4 ZE2-46 ZF3-44/28 | ZP2-26 | 7106/38 |
| 5 | MØ | | ZE2-17/m | ZF3-5/6 | | 32 | 6/8 | | ZE2-45/m | ZP5-27/22 | 1004/X-69 | |
| 6 | M1 | | ZE2-34/m | ZF3-3/4 | | 33 | + BUSY | | ZE2-63/m | ZF1-49/33 | 7106/6 | |
| 7 | M2 | | ZE2-50/m | ZF3-1/2 | | 34 | - LTO | | ZE2-81 | ZP7-49 | 1004/X-15 | |
| 8 | M3 | | ZE2-6/m | ZF3-41/25 | | 35 | - LT1 | | ZE2-78 | ZP7-50 | 1004/X-14 | |
| 9 | M5 | | ZE2-38/m | ZF3-46/30 | | 36 | - LT2 | | ZE2-60 | ZP7-48 | 1004/X-17 | |
| 10 | M6 | | ZE2-54/m | ZF3-50/33 | | 37 | - LT3 | | ZE2-44 | ZP7-47 | 1004/X-18 | |
| 11 | M7 | | ZE2-73/m | ZF3-15/27 | | 38 | - LT4 | | ZE2-33 | ZP7-46 | 1004/X-23 | |
| 12 | - PRZA | | ZE1-10/m | ZK11-2/8 | 1014/21A | 39 | - LT5 | | ZE2-8 | ZP7-45 | 1004/X-25 | |
| 13 | - S | | ZE1-6 | ZP6-27 | | 40 | - LT6 | | ZE2-59 | ZP7-41 | 1004/X-39 | |
| | | | | ZP8-7/29 | | 41 | - LT7 | | ZE2-43 | ZP7-42 | 1004/X-38 | |
| | | | | ZL12-7/29 | ZL2-12 | 42 | - LT8 | | ZE2-32 | ZP7-44 | 1004/X-26 | |
| 14 | - STC | | ZE2-11/m | ZP7-33/22 | 1004/X-52 | 43 | - BCF | | ZE1-32 | ZP6-17 | 1004/X-66 | |
| 15 | - DRK | | ZE2-9/m | ZP7-26/21 | 1004/X-74 | 44 | - ZKS | | ZE1-80 | | ZE1-50 | |
| 16 | - PRW | | ZE1-7/m | ZK11-3/6 | 1014/13A | 45 | - DPA/PRC | | 7106/53 | ZF3-11/12 | ZE2-51/m | |
| 17 | - MLST | | ZE1-9/m | ZK11-4/7 | 1014/12B | 46 | D1/I0 | | 7106/66 | ZF3-16/29 | ZE2-71/m | |
| 18 | - BSP | | ZE2-26/m | ZP7-34/18 ZP8-10/31 ZL12-10/31 | ZL4-21 | 47 | D2/I1 | | 7106/46 | ZF3-17/32 | ZE2-52/m | |
| | | | | ZP6-49 | 1004/X-70 | 48 | D3/I2 | | 7106/74 | ZF3-37/21 | ZE2-40/m | |
| 19 | - W | | ZE1-34 | ZP8-9/30 ZL12-9/30 | ZL2-11 | 49 | D4/I3 | | 7106/49 | ZF3-39/23 | ZE2-20/m | |
| | | | | ZP7-39 | ZP3-12 | 50 | D5/I4 | | 7106/13 | ZF3-42/26 | ZE2-4/m | |
| 20 | - GOT | | ZE2-10 | ZP7-38 | ZP3-13 | 51 | D6/I5 | | 7106/17 | ZF3-38/22 | ZE2-56/m | |
| 21 | + GOT | | ZE2-15 | ZF1-38/22 | 7106/61 | 52 | D7/I6 | | 7106/31 | ZF3-36/20 | ZE2-36/m | |
| 22 | - PA | | ZE2-3/m | ZP6-48 | 1004/X-72 | 53 | D8/I7 | | 7106/37 | ZF3-34/18 | ZE2-19/m | |
| 23 | + PFZ | | ZE1-12 | ZF1-42/26 | | 54 | | | | ZF1-46/30 | ZE2-55/m | |
| 24 | | ZE2-53/m | ZF1-1/2 | | 55 | | | ZF1-50/17 | ZE2-61/m | | | |
| 25 | | ZE2-76/m | ZF1-4/3 | ZE2-77/m | 56 | | | ZF1-44/28 | ZE2-22/m | | | |
| 26 | + VFC/PPC | 7106/50 | ZF1-40/24 | ZE2-37/m | 57 | + ACK | ZE2-5/m | ZF1-41/25 | 7106/35 | | | |
| 27 | - ALF | 7106/47 | | | 58 | | | ZF1-13/14 | ZE2-18/m | | | |
| | | | | | 59 | + SEND DATA | ZE2-74/m | ZF1-47/2 | 7106/8 | | | |

| 1 | 2 | 3 | 4 | 5 | 6 | 1 | 2 | 3 | 4 | 5 | 6 |
|----|-------------------|---|-----------|-----------|-----------|-----|---------|----------|-------------|------------|-----------|
| 60 | - SEL | | ZE2-18/m | ZF1-13/14 | 7106/39 | 92 | + SN1 | 1004/X-8 | ZP6-25 | ZP6-25 | ZE1-81 |
| 61 | - Z11 | | 7106/29 | ZF1-37/21 | ZE2-58/m | 93 | + SN2 | | 1004/X-9 | ZP6-10 | ZE1-79 |
| | | | | ZF7-43/23 | 1004/X-29 | 94 | + SN3 | | 1004/X-11 | ZP6-12 | ZE1-64 |
| | | | | ZP9-28 | | 95 | + SN4 | | 1004/X-10 | ZP6-11 | ZE1-46 |
| | | | | ZM2-16 | ZMP-9 | 96 | - WLS- | | | | |
| | | | | ZP8-11 | ZL12-11 | | WOLNO | | 1004/X-51 | ZP8-18/34 | |
| 62 | - Z11 | | 7106/29 | ZF1-36/20 | ZE2-72/m | | | | | ZL12-18/34 | ZL7-63 |
| 63 | RE | | 7106/15 | | ZI-14 | 97 | - WLS- | | 1004/X-71 | ZP9-34 | ZM2-19 |
| 64 | DE | | 7106/23 | | ZI-15 | 98 | - WLS- | | | | |
| 65 | OL | | 7106/30 | | ZI-16 | | SZYBKO | | 1004/X-54 | ZP8-19/35 | |
| 66 | PE | | 7106/21 | | ZI-17 | | | | | ZL12-19/35 | ZL7-62 |
| 67 | B | | 7106/5 | | ZI-18 | 99 | - GSIL | | 1004/X-53 | ZP6-16 | ZE1-5 |
| 68 | SD | | 7106/7 | | ZI-19 | 100 | WLS-KO | | 1004/X-55 | ZP8-37 | |
| 69 | SE | | 7106/73 | | ZI-20 | | | | | ZL12-37 | ZL7-64 |
| 70 | FN | | 7106/3 | | ZI-21 | 101 | + LTØ | | 1004/X-13 | | ZP3-36 |
| 71 | AC | | 7106/60 | | ZI-22 | 102 | + LT1 | | 1004/X-2 | | ZP3-37 |
| 72 | D1 | | ZI-1 | | 7106/20 | 103 | + LT2 | | 1004/X-16 | | ZP2-17 |
| 73 | D2 | | ZI-2 | | 7106/22 | 104 | + LT3 | | 1004/X-19 | | ZP2-16 |
| 74 | D3 | | ZI-3 | | 7106/4 | 105 | + LT4 | | 1004/X-22 | | ZP2-36 |
| 75 | D4 | | ZI-4 | | 7106/10 | 106 | + LT5 | | 1004/X-24 | | ZP2-19 |
| 76 | D5 | | ZI-5 | | 7106/56 | 107 | + LT6 | | 1004/X-40 | | ZP3-10 |
| 77 | D6 | | ZI-6 | | 7106/48 | 108 | + LT7 | | 1004/X-37 | | ZP2-18 |
| 78 | D7 | | ZI-7 | | 7106/43 | 109 | + LT8 | | 1004/X-27 | | ZP2-28 |
| 79 | D8 | | ZI-8 | | 7106/54 | 110 | - KPS | | 1034/ZP6-36 | | ZE1-75 |
| 80 | + DP/PRINT COM | | ZI-9 | | 7106/72 | 111 | - KSTT | | 1034/ZP6-35 | | ZE1-76 |
| 81 | + VFC/PAP COM | | ZI-11 | | 7106/78 | 112 | + KGOT | | 1034/ZP6-34 | | ZE1-20 |
| 82 | + ALF | | ZI-12 | | 7106/80 | 113 | + KNGOT | | 1034/ZP6-9 | | ZE1-13 |
| 83 | + STBE | | ZI-10 | | 7106/58 | 114 | + KAS | | 1034/ZP6-6 | | ZE1-77 |
| 84 | - LEM | | 1004/X-32 | ZP6-38/20 | ZE1-63/m | 115 | - KAS | | 1034/ZP6-23 | | 1004/X-47 |
| 85 | - SF | | 1004/X-73 | ZP7-25/21 | ZE2-16/m | 116 | - AWM | | 1034/ZP6-24 | | ZE1-28 |
| 86 | + MR | | 1004/X-30 | ZP6-39/22 | ZE1-15/m | 117 | + AWM | | 1034/ZP6-8 | | ZE1-33 |
| 87 | + DP | | 1004/X-67 | ZP7-24/20 | ZE2-25/m | 118 | + INW1 | | ZP3-28 | ZP7-9 | ZE2-47 |
| 88 | + L8 | | 1004/X-45 | | ZP3-17 | 119 | + INW2 | | ZP3-29 | ZP7-8 | ZE2-48 |
| 89 | + L6 | | 1004/X-46 | | ZP3-16 | 120 | + INW4 | | ZP3-32 | ZP7-5 | ZE2-69 |
| 90 | + WSC | | 1004/X-48 | ZP9-35 | ZC1-14 | 121 | + INW8 | | ZP3-33 | ZP7-4 | ZE2-62 |
| 91 | + BLMX | | 1004/X-33 | ZP6-37 | ZE1-42 | 122 | INT7 | | ZP3-20 | ZP7-17 | 7106/40 |
| | | | | | | 123 | INI6 | | ZP3-21 | ZF3-14 | |
| | | | | | | | | | | ZP7-16 | 7106/32 |
| | | | | | | | | | | ZF3-48 | |

Как в графе 2

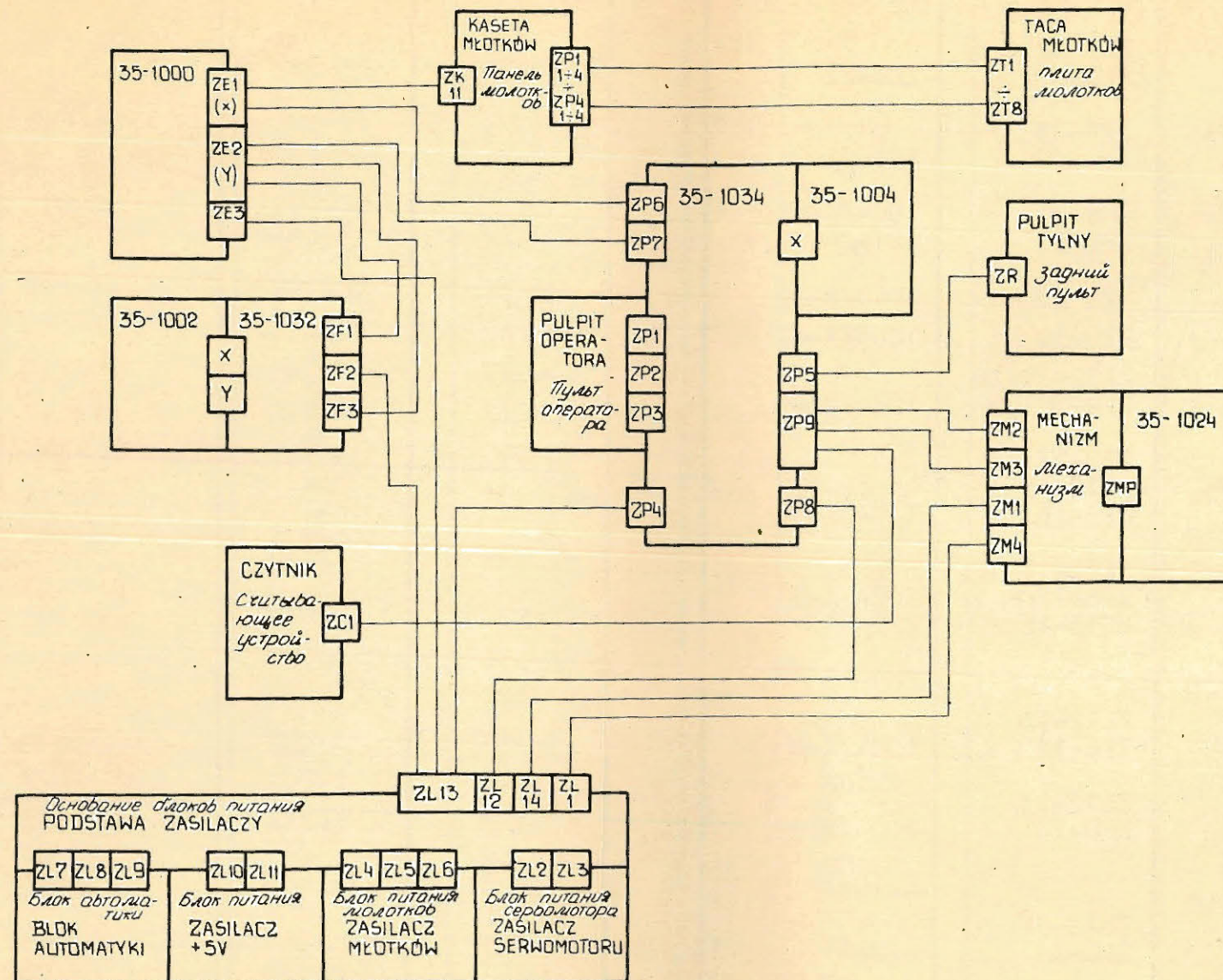
Как в графе 2

| 1 | 2 | 3 | 4 | 5 | 66 | 1 | 2 | 3 | 4 | 5 | 6 |
|-----|----------|---|-----------------|-------------------|----------------------------|-----|---------|---|--------|--------------------------|---------------------|
| 124 | INT5 | | ZP3-22 | ZP7-15 ZF3-49 | 7106/19 | 148 | + PCL | | ZP2-3 | ZP8-24 ZL12-24 | ZL7-14 |
| 125 | INT4 | | ZP3-23 | ZP7-14 ZF3-45 | 7106/11 | 149 | PI1 | | ZP2-6 | ZP8-21 ZL12-21 | ZL4-11 |
| 126 | INT3 | | ZP3-24 | ZP7-13 ZF3-43 | 7106/53 | 150 | PI2 | | ZP2-9 | ZP8-1 ZL12-1 | ZL4-12 |
| 127 | INT2 | | ZP3-25 | ZP7-12 ZF3-35 | 7106/76 | 151 | PI3 | | ZP2-10 | ZP8-2 ZL12-2 | ZL4-13 |
| 128 | INI1 | | ZP3-26 | ZP7-11 ZF3-40 | 7106/45 | 152 | + KPS1 | | ZP2-37 | | 1034/M1-1 |
| 129 | INT0 | | ZP3-27 | ZP7-10 ZP3-7 | 7106/68 | 153 | - KPS1 | | ZP2-35 | | 1034/M1-5 |
| 130 | - DR | | ZP3-14 | ZP7-37 | ZE2-2 | 154 | - TL | | ZP2-33 | | 1004/X-20 |
| 131 | - TW | | ZP3-18 | ZP7-35 | ZE2-68 | 155 | A1 | | ZP2-22 | ZP6-15 | 1004/X-36 ZE1-29 |
| 132 | - KS | | ZP3-15 | ZP7-36 | ZE2-66 | 156 | A2 | | ZP2-23 | ZP6-14 | 1004/X-35 ZE1-30 |
| 133 | - PM | | ZP3-11 | ZP7-40 | ZE2-39 | 157 | A3 | | ZP2-21 | ZP6-13 | 1004/X-34 ZE1-31 |
| 134 | - WS | | ZP3-30 | ZP7-7 | ZE2-65 | 158 | - KSTT1 | | ZP2-34 | | 1034/M1-9 |
| 135 | + PSW | | ZP3-9 | | 1004/X-59 | 159 | + KSTT1 | | ZP2-32 | | 1034/M1-13 |
| 136 | + WTWŁ | | ZP3-4 | ZP9-4 ZM2-17 | ZMP-12 | 160 | - KKS2 | | ZP2-20 | | 1034/M3-13 |
| 137 | - PUP | | ZP3-34 | ZP7-3 | ZE2-13 | 161 | - KKS1 | | ZP2-25 | | 1034/M2-10, 11 |
| 138 | -ZPF | | ZP3-34 | ZP7-6/20 | ZE2-12/m | 162 | + KKS1 | | ZP2-24 | | 1034/M3-5 |
| 139 | - KPA | | ZP3-19 | ZP7-1/18 | ZE2-67/m | 163 | - K6/8 | | ZP2-31 | | 1004/X-60 |
| 140 | ŻGOT | | ZP3-2 | ZP5-2 | ZR1-2 | 164 | + K6/8 | | ZP2-30 | | 1004/X-57 |
| 141 | ŻNGOT | | ZF3-1 | ZP5-1 | ZR1-1 | 165 | + PF | | ZP2-15 | | 1004/X-28 |
| 142 | ŻPA | | ZP3-3 | ZP5-3 | ZR1-3 | 166 | CMAR | | ZM2-22 | ZP9-31 | 1004/X-64 |
| 143 | - KNGOT1 | | ZP2-29 ZR1-8 | ZP5-8 | 1034/M2-2 1034/M2-2 | 167 | CSY | | ZM2-7 | ZP9-32 | 1004/X-53 |
| 144 | - KGOT1 | | ZP2-27 ZR1-9 | ZP5-9 | 1034/M2-4,5 1034/M2-4,5 | 168 | T1 | | ZM2-15 | ZP9-6 | 1034/M3-1 |
| 145 | - KZWŁ | | ZP2-13 | ZP8-5 ZL12-5 | ZL7-12 | 169 | T2 | | ZM2-14 | ZP9-5 | 1034/M3-2 |
| 146 | - KZWYŁ | | ZP2-14 | ZP8-6 ZL12-6 | ZL7-21 | 170 | - PTS | | ZMP-7 | ZM2-6 ZP9-25 ZP6-3 | ZE1-25 |
| 147 | - PCL | | ZP2-2 | ZP8-25 ZL12-25 | ZI7-13 | 171 | - AKTB | | ZMP-6 | ZM2-5 ZP9-27 ZP6-1 | ZE1-23 |

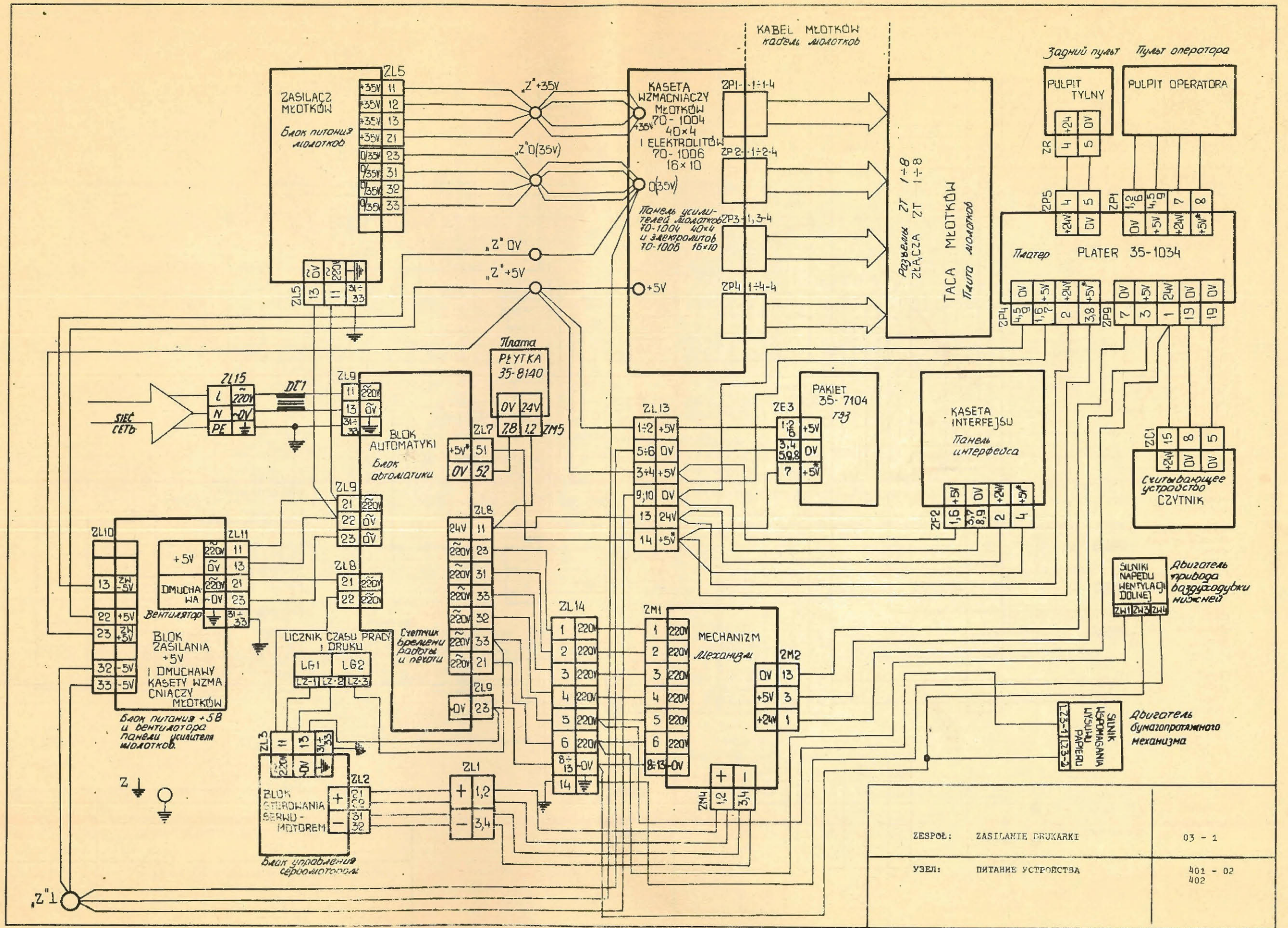
Как в графе 2

Как в графе 2

| 1 | 2 | 3 | 4 | 5 | 6 | 1 | 2 | 3 | 4 | 5 | 6 | |
|-----|--------|---------------|-------------------|------------------------------|---------------------|-----------------------|--------------------------|---------------|--------|-----------------------------|----------|--|
| 172 | - KTW | | ZMP-19 | ZM2-18 ZP9-33 | 1004/X-68 | 191 | 103 | | ZL8-12 | ZL12-23 ZP8-23 | ZP2-4 | |
| 173 | - BPWM | | ZM2-24 | ZP9-20 ZP6-33 | ZE1-57 | 192 | 104 | | ZL8-13 | ZL12-22 ZP8-22 | ZP2-5 | |
| 174 | - BPWZ | | ZM2-23 | ZP9-24 ZP6-29 | ZE1-37 | 193 | - ZSW | | ZL2-13 | ZL7-31 ZL12-14 ZP8-14 | 1004/X-5 | |
| 175 | - OK | | ZM2-25 | ZP9-22 ZP6-31 | ZE1-22 | | | | | | | |
| 176 | - BRTB | | ZM2-2 | ZP9-23 ZP6-30 | ZE1-24 | | | | | | | |
| 177 | - OB | | ZM2-4 | ZP9-21 ZP6-50 | 1004/X-65 ZE1-26 | | | | | | | |
| 178 | CL8 | | ZM3-1 | ZP9-29 | 1004/X-62 | | | | | | | |
| 179 | CL6 | | ZM3-5 | ZP9-30 | 1004/X-61 | | | | | | | |
| 180 | - AWM | Как в графе 2 | ZL4-31 | ZL12-20/28 ZP8-20/28 | 1034/M3-9 | | | Как в графе 2 | | | | |
| 181 | - ZMW | | ZL4-32 | ZL7-23 ZL12-15 ZP8-16 | 1004/X-7 | | | | | | | |
| 182 | - ZWŁ | | ZL7-34 ZL7-34 | ZL12-17 ZP8-17 ZL13-12 | 1004/X-21 ZF2-5 | | | | | | | |
| 183 | - ZNWZ | | ZL7-41 | | ZL4-33 | | | | | | | |
| 184 | 25V | | ZL7-42 | ZL12-12 ZP8-12 | 1004/X-3 | | | | | | | |
| 185 | Z12V | | ZL7-43 | ZL12-13 ZP8-13 | 1004/X-4 | | | | | | | |
| 186 | WŁZ5 | | ZL7-44 | | ZL10-21 | | | | | | | |
| 187 | ŻZWŁ | | ZL7-11 | ZL12-3 ZP8-3 | ZP2-11 | | | | | | | |
| 188 | ŻZWYŁ | | ZL7-22 | ZL12-4 ZP8-4 | ZP2-12 | | | | | | | |
| 189 | + ZIWŁ | | ZL7-53 | ZL12-8 ZP8-8 ZP6-28 | ZE1-8 | | TABELA SYGNAŁÓW DRUKARKI | | | | 01-4 | |
| 190 | + PZ | ZL7-61 | ZL12-15 ZP8-15 | 1004/X-6 | | ТАБЛИЦА СИГНАЛОВ АЦПУ | | | | 402 | | |

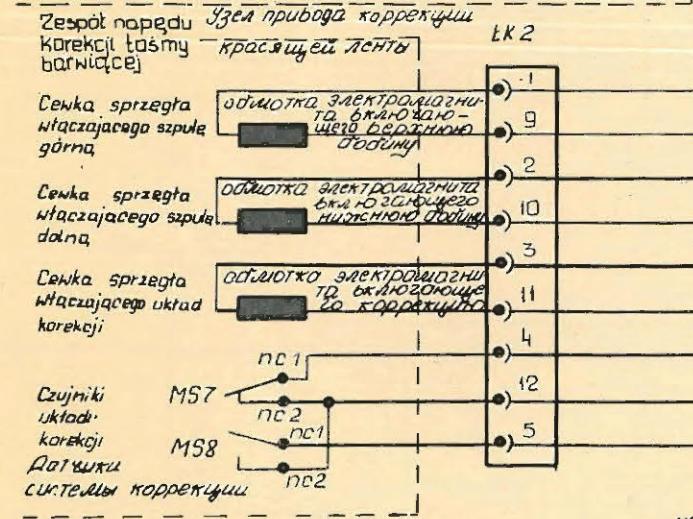
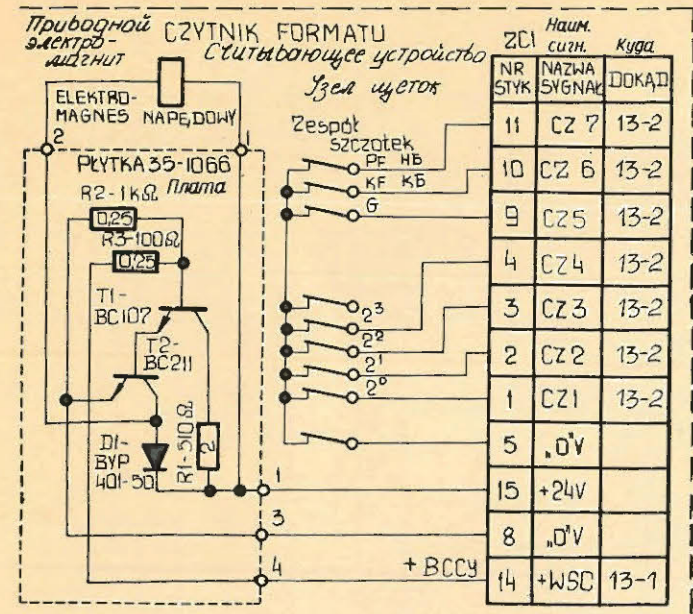
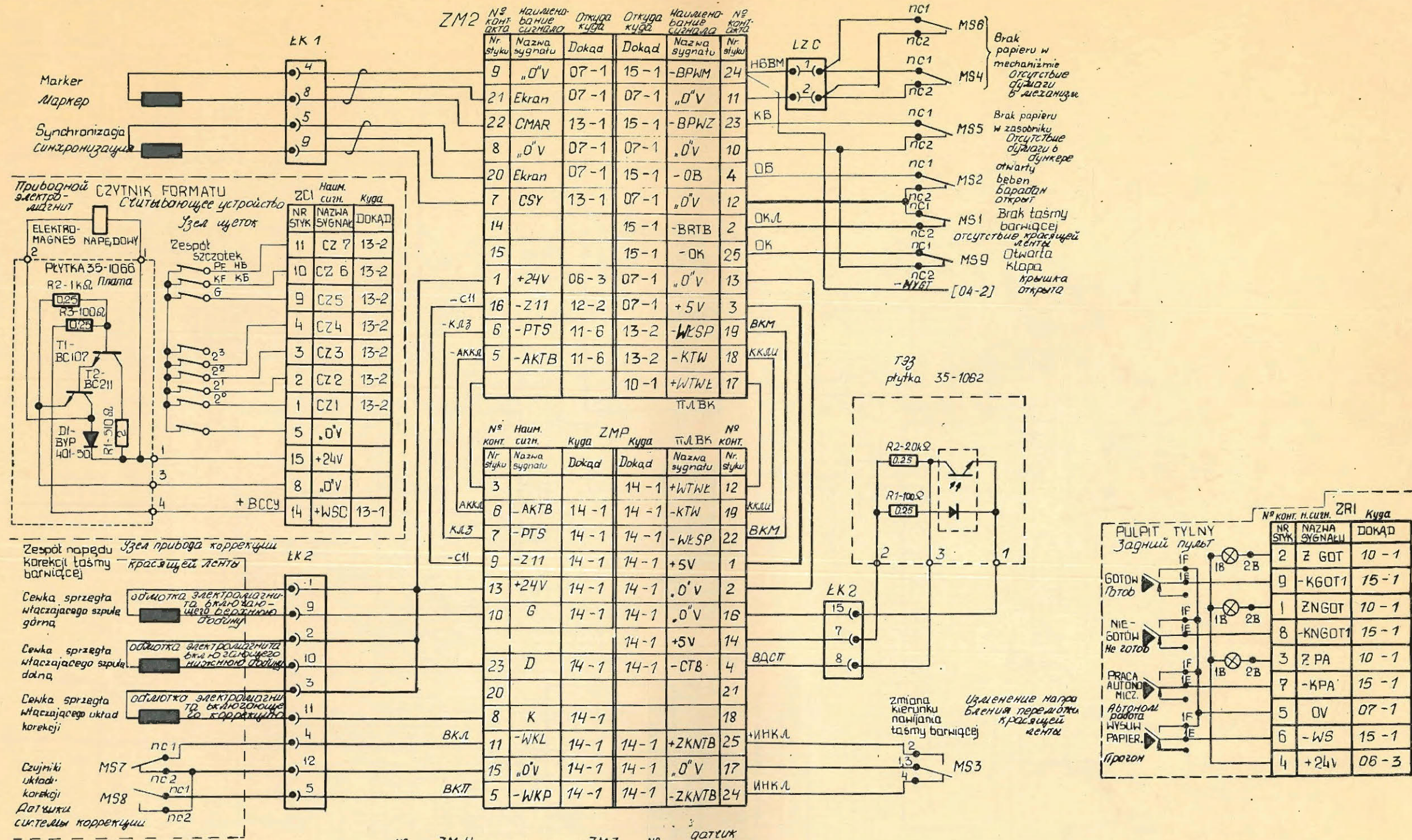


| | | |
|---------|-----------------------|-----------------|
| ЗЕСРОБ: | ПОЛЪЧЕННЯ КАБЛОВЕ | 02 - 1 |
| УЗЕЛ: | СХЕМА ЕЛЕКТРОПРОВОДКИ | 401 - 02 402 |



ZESPÓŁ: ZASILANIE DRUKARKI 03 - 1

UZEL: PITANIE URZĄDZENIA 401 - 02
402



ZM2

| Nr. styku | Nazwa sygnatu | Dokąd | Odkąd | Nazwa sygnatu | Nr. styku |
|-----------|---------------|-------|-------|---------------|-----------|
| 9 | „0”V | 07-1 | 15-1 | -BPWM | 24 |
| 21 | Ekran | 07-1 | 07-1 | „0”V | 11 |
| 22 | CMAR | 13-1 | 15-1 | -BPWZ | 23 |
| 8 | „0”V | 07-1 | 07-1 | „0”V | 10 |
| 20 | Ekran | 07-1 | 15-1 | -OB | 4 |
| 7 | CSY | 13-1 | 07-1 | „0”V | 12 |
| 14 | | | 15-1 | -BRTB | 2 |
| 15 | | | 15-1 | -OK | 25 |
| 1 | +24V | 06-3 | 07-1 | „0”V | 13 |
| 16 | -Z11 | 12-2 | 07-1 | +5V | 3 |
| 6 | -PTS | 11-6 | 13-2 | -WKSP | 19 |
| 5 | -AKTB | 11-6 | 13-2 | -KTW | 18 |
| | | | 10-1 | +WTWE | 17 |

ZM3

| Nr. styku | Nazwa sygnatu | Dokąd | Odkąd | Nazwa sygnatu | Nr. styku |
|-----------|---------------|-------|-------|---------------|-----------|
| 3 | | | 14-1 | +WTWE | 12 |
| 6 | -AKTB | 14-1 | 14-1 | -KTW | 19 |
| 7 | -PTS | 14-1 | 14-1 | -WKSP | 22 |
| 9 | -Z11 | 14-1 | 14-1 | +5V | 1 |
| 13 | +24V | 14-1 | 14-1 | „0”V | 2 |
| 10 | G | 14-1 | 14-1 | „0”V | 16 |
| | | | 14-1 | +5V | 14 |
| 23 | D | 14-1 | 14-1 | -CTB | 4 |
| 20 | | | | | 21 |
| 8 | K | 14-1 | | | 18 |
| 11 | -WKL | 14-1 | 14-1 | +ZKNTB | 25 |
| 15 | „0”V | 14-1 | 14-1 | „0”V | 17 |
| 5 | -WKP | 14-1 | 14-1 | -ZKNTB | 24 |

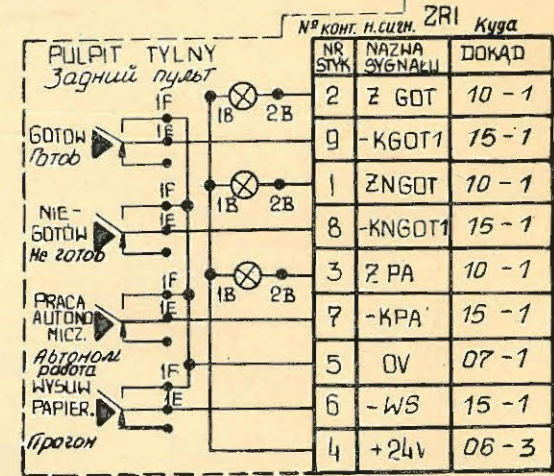
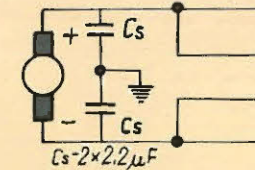
ZM4

| Nr. styku | Nazwa sygnatu | Dokąd | Nr. styku | Nazwa sygnatu | Dokąd |
|-----------|---------------|-------|-----------|---------------|-------|
| 1 | +WY | 09-1 | 13-1 | CL 8 | 1 |
| 2 | +WY | 09-1 | 07-1 | „0”V | 2 |
| 3 | -WY | 09-1 | 13-1 | CL 6 | 5 |
| 4 | -WY | 09-1 | 07-1 | „0”V | 4 |

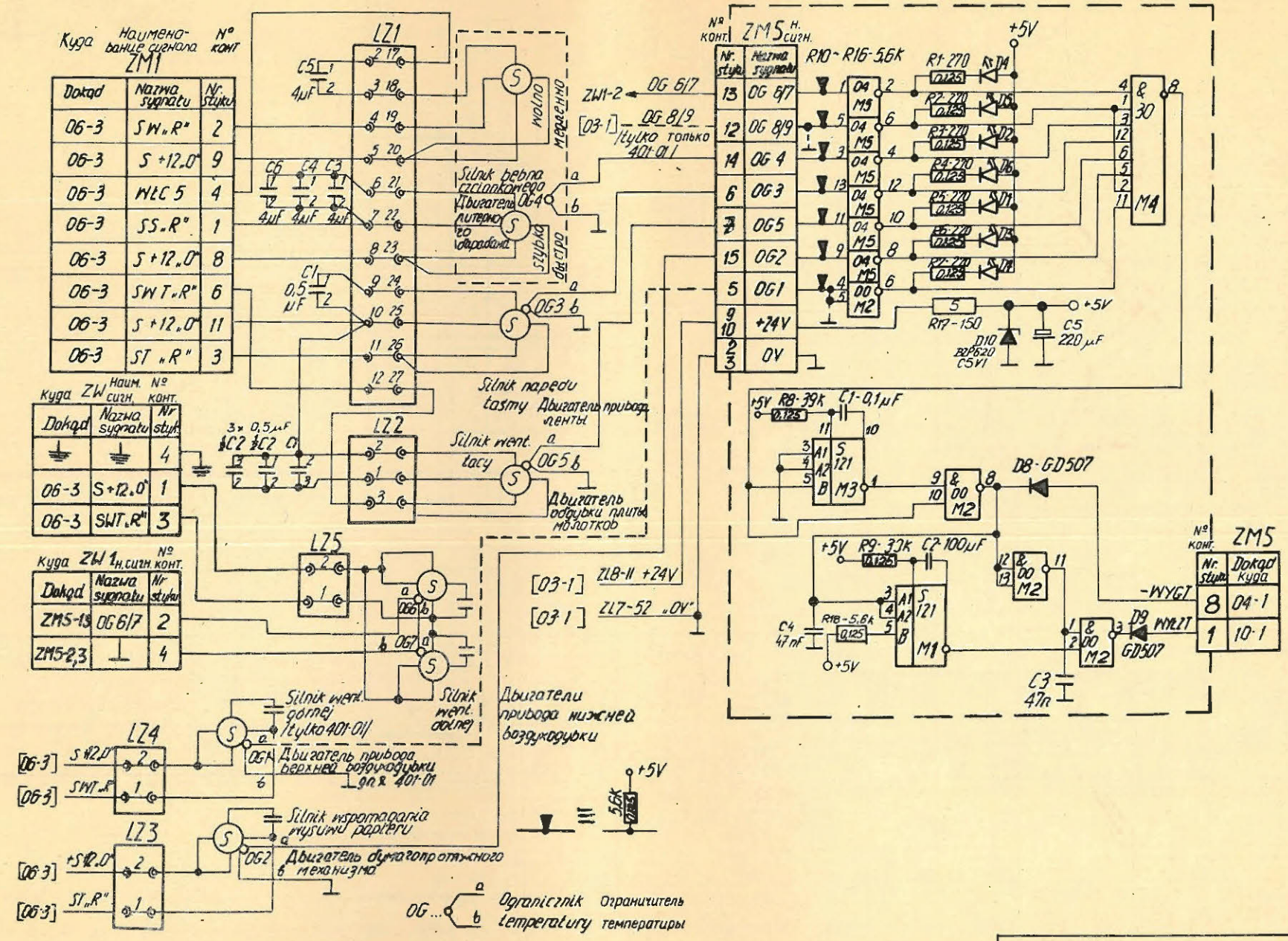
ZM3

| Nr. styku | Nazwa sygnatu | Dokąd | Nr. styku | Nazwa sygnatu | Dokąd |
|-----------|---------------|-------|-----------|---------------|-------|
| 1 | CL 8 | 1 | 8W/cal | | |
| 2 | „0”V | 2 | 6W/col | | |
| 5 | CL 6 | 5 | 6W/cal | | |
| 4 | „0”V | 4 | 6W/col | | |

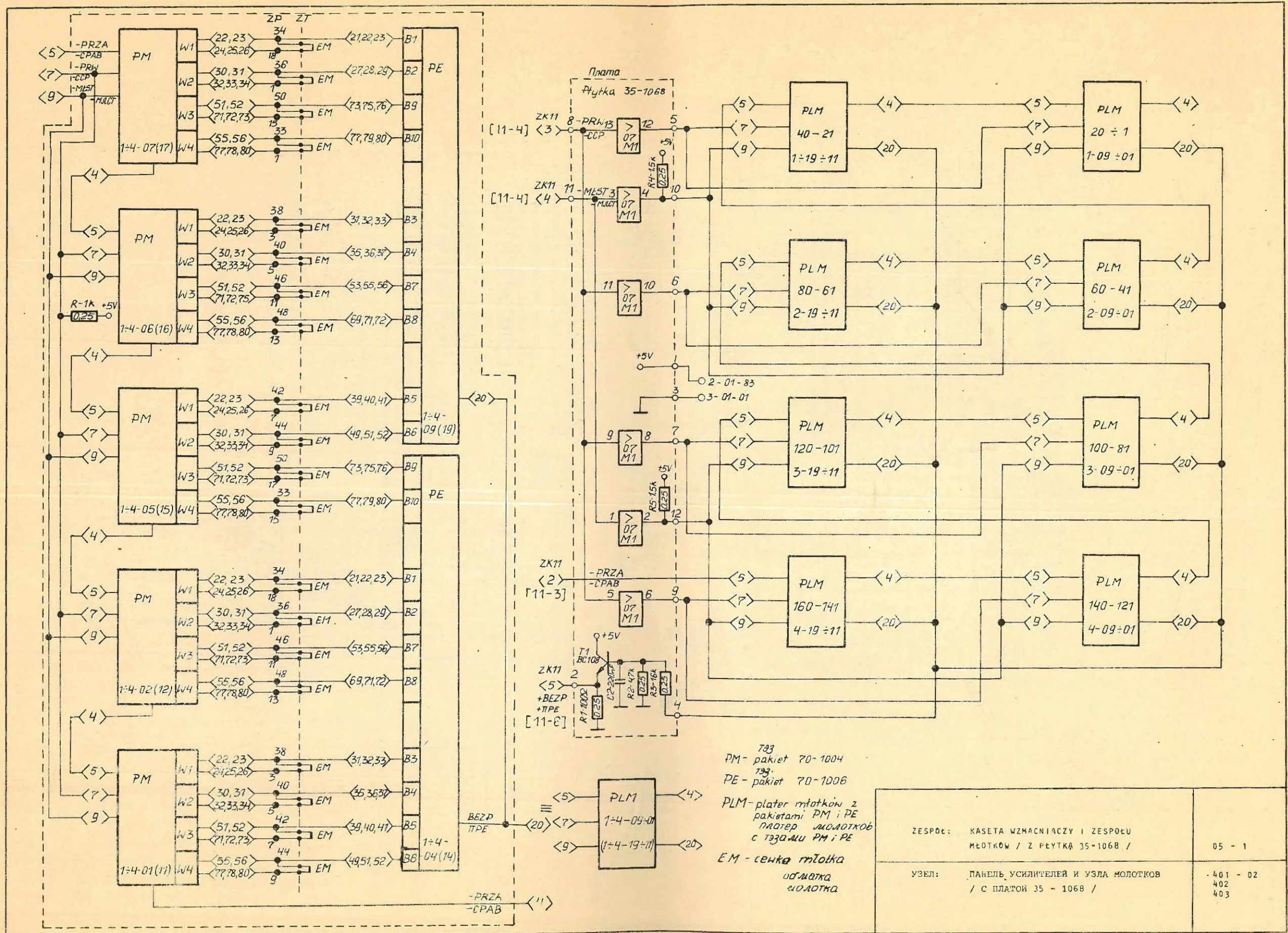
Двигатель сервомотора
Silnik serwowatoru



| | | |
|---------|--|------------------------------------|
| ZESPOL: | MECHANIZM / Z PŁYTKAMI 35 - 1062 i 35 - 1066 / | 04 - 1 |
| UZEL: | PECHATAJĄCY MECHANIZM / S PŁATAMI 35 - 1062 i 35 - 1066 / | 401 - 01 401 - 02 402 403 |

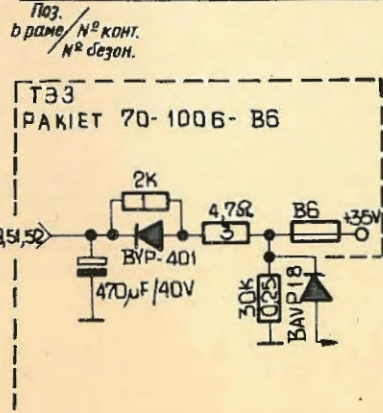
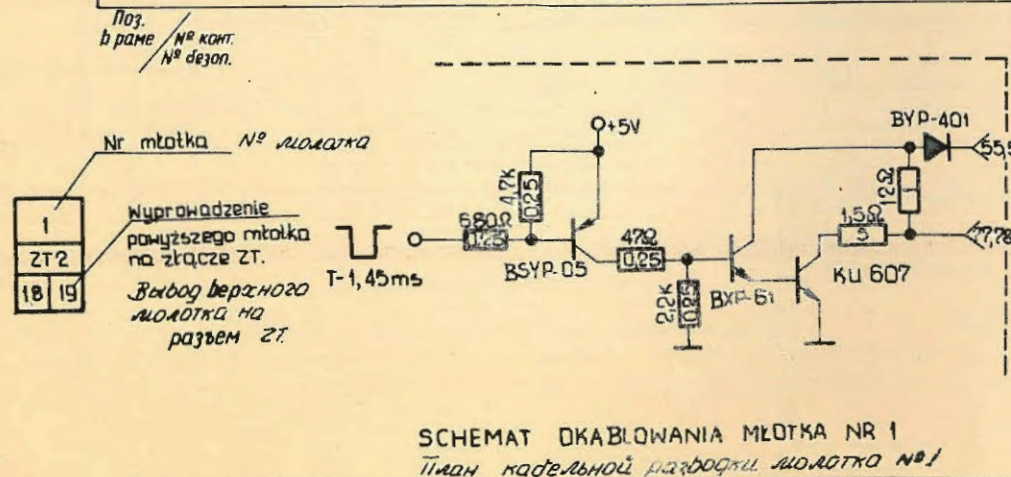


| | |
|---|------------------------------------|
| ZESPÓŁ: MECHANIZM / Z PŁYTKAMI 35 - 1062 i 35 - 1066 / | 04 - 2 |
| WZŁÓŻ: PŁYTKA / S PŁYTKAMI 35 - 1062 i 35 - 1066 / | 401 - 01 401 - 02 402 403 |



| ПАКІЕТ 70-1004 | | | | | | | | | | | | | | | |
|-----------------------------------|------|------|------|-----------------------|----------|------|------|-----------------------|------|----------|----------|------|------|-----|----|
| № КОИТ. / ПОЗ. в РАМЕ | | | | № КОИТ. / ПОЗ. в РАМЕ | | | | № КОИТ. / ПОЗ. в РАМЕ | | | | | | | |
| W4 | W3 | W2 | W1 | NR STYKU | NR STYKU | W4 | W3 | W2 | W1 | NR STYKU | NR STYKU | W4 | W3 | | |
| 77 | 55 | 71 | 51 | 32 | 30 | 24 | 22 | 77 | 55 | 71 | 51 | 77 | 55 | 71 | 51 |
| 78 | 56 | 72 | 52 | 33 | 31 | 25 | 23 | 78 | 56 | 72 | 52 | 78 | 56 | 72 | 52 |
| 80 | 73 | 34 | 28 | 34 | 28 | 26 | 20 | 80 | 73 | 34 | 28 | 80 | 73 | 34 | 28 |
| 9 | 44 | 7 | 42 | 5 | 40 | 3 | 38 | 13 | 48 | 11 | 46 | 1 | 36 | 18 | 34 |
| 1-04 | 1 | 2 | 3 | 4 | 1-01 | 1-02 | 5 | 6 | 7 | 8 | 1-05 | 9 | 10 | 1-1 | |
| | ZT-2 | ZT-1 | ZT-2 | ZT-1 | | | ZT-2 | ZT-1 | ZT-2 | ZT-1 | | ZT-2 | ZT-1 | | |
| | 18 | 19 | 36 | 37 | | | 14 | 15 | 32 | 33 | | 10 | 11 | 28 | 29 |
| 1-14 | 21 | 22 | 23 | 24 | 1-11 | 1-12 | 25 | 26 | 27 | 28 | 1-15 | 29 | 30 | 1-3 | |
| | ZT-2 | ZT-1 | ZT-2 | ZT-1 | | | ZT-2 | ZT-1 | ZT-2 | ZT-1 | | ZT-2 | ZT-1 | | |
| | 34 | 35 | 16 | 17 | | | 30 | 31 | 12 | 13 | | 26 | 27 | 8 | 9 |
| 2-04 | 41 | 42 | 43 | 44 | 2-01 | 2-02 | 45 | 46 | 47 | 48 | 2-05 | 49 | 50 | 2-1 | |
| | ZT-4 | ZT-3 | ZT-4 | ZT-3 | | | ZT-4 | ZT-3 | ZT-4 | ZT-3 | | ZT-4 | ZT-3 | | |
| | 12 | 13 | 45 | 46 | | | 8 | 9 | 41 | 42 | | 4 | 5 | 37 | 38 |
| 2-14 | 61 | 62 | 63 | 64 | 2-11 | 2-12 | 65 | 66 | 67 | 68 | 2-15 | 69 | 70 | 2-3 | |
| | ZT-4 | ZT-3 | ZT-4 | ZT-3 | | | ZT-4 | ZT-3 | ZT-4 | ZT-3 | | ZT-4 | ZT-3 | | |
| | 24 | 25 | 24 | 25 | | | 49 | 50 | 16 | 17 | | 45 | 46 | 12 | 13 |
| 3-04 | 81 | 82 | 83 | 84 | 3-03 | 3-02 | 85 | 86 | 87 | 88 | 3-05 | 89 | 90 | 3-1 | |
| | ZT-6 | ZT-5 | ZT-6 | ZT-5 | | | ZT-6 | ZT-5 | ZT-6 | ZT-5 | | ZT-6 | ZT-5 | | |
| | 16 | 17 | 49 | 50 | | | 12 | 13 | 45 | 46 | | 8 | 9 | 41 | 42 |
| 3-14 | 101 | 102 | 103 | 104 | 3-11 | 3-12 | 105 | 106 | 107 | 108 | 3-15 | 109 | 110 | 3-3 | |
| | ZT-6 | ZT-5 | ZT-6 | ZT-5 | | | ZT-6 | ZT-5 | ZT-6 | ZT-5 | | ZT-6 | ZT-5 | | |
| | 28 | 29 | 28 | 29 | | | 24 | 25 | 24 | 25 | | 49 | 50 | 16 | 17 |
| 4-04 | 121 | 122 | 123 | 124 | 4-01 | 4-02 | 125 | 126 | 127 | 128 | 4-05 | 129 | 130 | 4-1 | |
| | ZT-6 | ZT-5 | ZT-6 | ZT-5 | | | ZT-8 | ZT-7 | ZT-8 | ZT-7 | | ZT-8 | ZT-7 | | |
| | 37 | 38 | 4 | 5 | | | 18 | 19 | 36 | 37 | | 14 | 15 | 32 | 33 |
| 4-14 | 141 | 142 | 143 | 144 | 4-11 | 4-12 | 145 | 146 | 147 | 148 | 4-15 | 149 | 150 | 4-3 | |
| | ZT-8 | ZT-7 | ZT-8 | ZT-7 | | | ZT-8 | ZT-7 | ZT-8 | ZT-7 | | ZT-8 | ZT-7 | | |
| | 2 | 3 | 20 | 21 | | | 34 | 35 | 16 | 17 | | 30 | 31 | 12 | 13 |
| POZ. в РАМЕ / NR КОИТ. / NR БЕЗП. | 49 | 39 | 35 | 31 | | | 69 | 53 | 27 | 21 | | 77 | 73 | | |
| | 51 | 40 | 36 | 32 | | | 71 | 55 | 28 | 22 | | 79 | 75 | | |
| | 52 | 41 | 37 | 33 | | | 72 | 56 | 29 | 23 | | 80 | 76 | | |
| | B6 | B5 | B4 | B3 | | | B8 | B7 | B2 | B1 | | B10 | B9 | | |

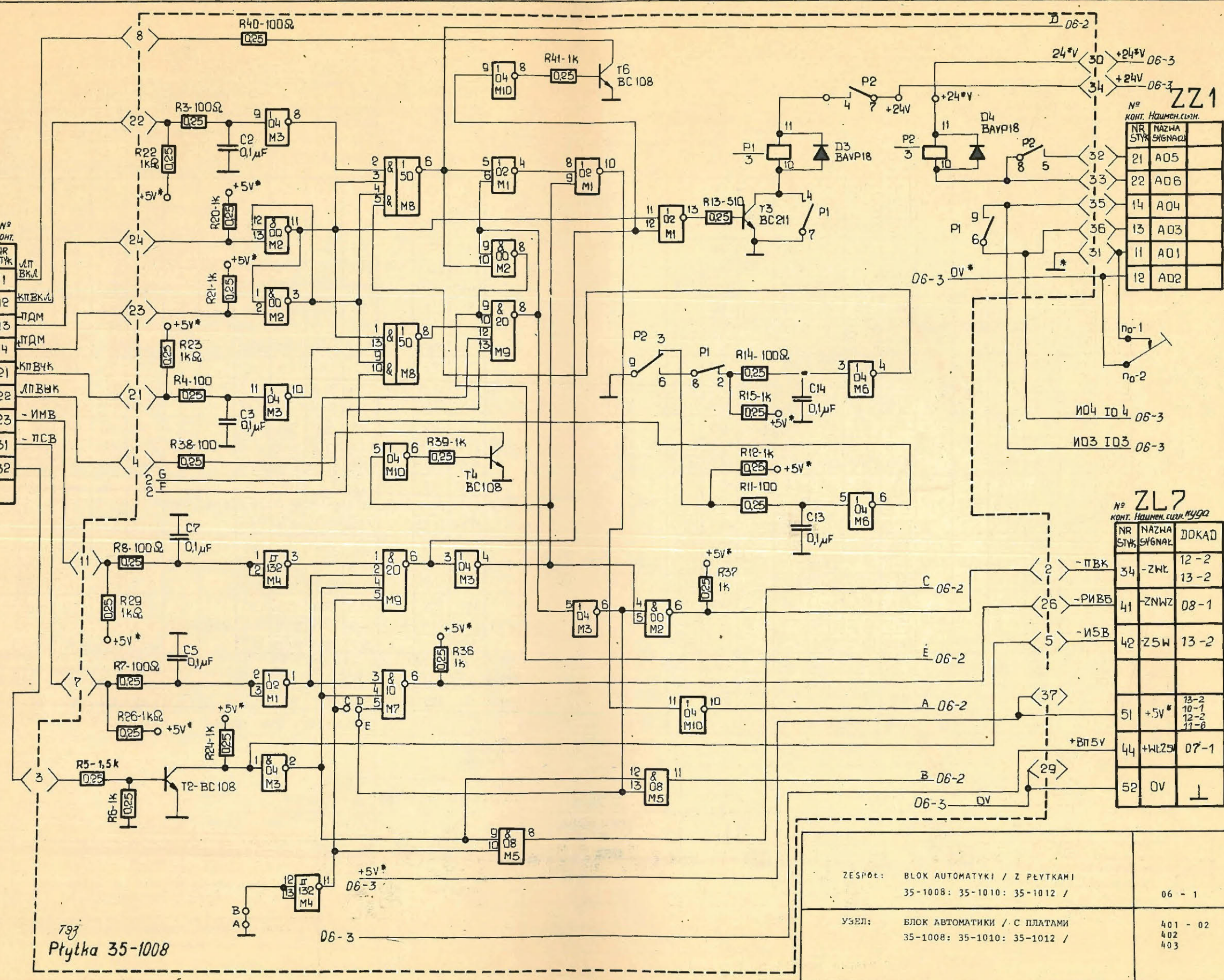
| ПАКІЕТ 70-1004 | | | | | | | | | | | | | | | |
|-----------------------------------|------|-------------|-------------|-----------------------|------|------|------|-----------------------|-------------|------|------|------|------|------|----|
| № КОИТ. / ПОЗ. в РАМЕ | | | | № КОИТ. / ПОЗ. в РАМЕ | | | | № КОИТ. / ПОЗ. в РАМЕ | | | | | | | |
| W2 | W1 | NR WZM STYK | NR WZM STYK | W4 | W3 | W2 | W1 | NR WZM STYK | NR WZM STYK | W4 | W3 | W2 | W1 | | |
| 32 | 30 | 24 | 22 | 77 | 55 | 71 | 51 | 32 | 30 | 24 | 22 | 77 | 55 | 71 | 51 |
| 33 | 31 | 25 | 23 | 78 | 56 | 72 | 52 | 33 | 31 | 25 | 23 | 78 | 56 | 72 | 52 |
| 34 | 26 | | | 80 | 73 | | | 34 | 26 | | | 80 | 73 | | |
| 9 | 44 | 7 | 42 | 13 | 48 | 11 | 46 | 5 | 40 | 3 | 38 | 17 | 33 | 15 | 50 |
| 1-09 | 11 | 12 | | 1-05 | 13 | 14 | 15 | 16 | 1-06 | 1-07 | 17 | 18 | 19 | 20 | |
| | ZT-2 | ZT-1 | | | ZT-2 | ZT-1 | ZT-2 | ZT-1 | | | ZT-2 | ZT-1 | ZT-2 | ZT-1 | |
| | 8 | 9 | 26 | 27 | | 6 | 7 | 24 | 25 | | 2 | 3 | 20 | 21 | |
| 1-19 | 31 | 32 | | 1-15 | 33 | 34 | 35 | 36 | 1-16 | 1-17 | 37 | 38 | 39 | 40 | |
| | ZT-2 | ZT-1 | | | ZT-2 | ZT-1 | ZT-2 | ZT-1 | | | ZT-4 | ZT-3 | ZT-4 | ZT-3 | |
| | 24 | 25 | 6 | 7 | | 22 | 23 | 4 | 5 | | 16 | 17 | 49 | 50 | |
| 2-09 | 51 | 52 | | 2-05 | 53 | 54 | 55 | 56 | 2-06 | 2-07 | 57 | 58 | 59 | 60 | |
| | ZT-4 | ZT-3 | | | ZT-4 | ZT-3 | ZT-4 | ZT-3 | | | ZT-4 | ZT-3 | ZT-4 | ZT-3 | |
| | 2 | 3 | 35 | 36 | | 32 | 33 | 32 | 33 | | 28 | 29 | 28 | 29 | |
| 2-19 | 71 | 72 | | 2-15 | 73 | 74 | 75 | 76 | 2-16 | 2-17 | 77 | 78 | 79 | 80 | |
| | ZT-4 | ZT-3 | | | ZT-4 | ZT-3 | ZT-4 | ZT-3 | | | ZT-4 | ZT-3 | ZT-4 | ZT-3 | |
| | 43 | 44 | 10 | 11 | | 41 | 42 | 8 | 9 | | 37 | 38 | 4 | 5 | |
| 3-09 | 91 | 92 | | 3-05 | 93 | 94 | 95 | 96 | 3-06 | 3-07 | 97 | 98 | 99 | 100 | |
| | ZT-6 | ZT-5 | | | ZT-6 | ZT-5 | ZT-6 | ZT-5 | | | ZT-6 | ZT-5 | ZT-6 | ZT-5 | |
| | 6 | 7 | 39 | 40 | | 4 | 5 | 37 | 38 | | 32 | 33 | 32 | 33 | |
| 3-19 | 111 | 112 | | 3-15 | 113 | 114 | 115 | 116 | 3-16 | 3-17 | 117 | 118 | 119 | 120 | |
| | ZT-6 | ZT-5 | | | ZT-6 | ZT-5 | ZT-6 | ZT-5 | | | ZT-6 | ZT-5 | ZT-6 | ZT-5 | |
| | 47 | 48 | 14 | 15 | | 45 | 46 | 12 | 13 | | 41 | 42 | 8 | 9 | |
| 4-09 | 131 | 132 | | 4-05 | 133 | 134 | 135 | 136 | 4-06 | 4-07 | 137 | 138 | 139 | 140 | |
| | ZT-8 | ZT-7 | | | ZT-8 | ZT-7 | ZT-8 | ZT-7 | | | ZT-8 | ZT-7 | ZT-8 | ZT-7 | |
| | 12 | 13 | 30 | 31 | | 10 | 11 | 28 | 29 | | 6 | 7 | 24 | 25 | |
| 4-19 | 151 | 152 | | 4-15 | 153 | 154 | 155 | 156 | 4-16 | 4-17 | 157 | 158 | 159 | 160 | |
| | ZT-8 | ZT-7 | | | ZT-8 | ZT-7 | ZT-8 | ZT-7 | | | ZT-8 | ZT-7 | ZT-8 | ZT-7 | |
| | 28 | 29 | 10 | 11 | | 26 | 27 | 8 | 9 | | 22 | 23 | 4 | 5 | |
| POZ. в РАМЕ / NR КОИТ. / NR БЕЗП. | 49 | 39 | 35 | 31 | | 69 | 53 | 27 | 21 | | 77 | 73 | 27 | 21 | |
| | 51 | 40 | 36 | 32 | | 71 | 55 | 28 | 22 | | 79 | 75 | 28 | 22 | |
| | 52 | 41 | 37 | 33 | | 72 | 56 | 29 | 23 | | 80 | 76 | 29 | 23 | |
| | B6 | B5 | | | | B8 | B7 | B4 | B3 | | B10 | B9 | B2 | B1 | |



| | | |
|---------|---|------------------------|
| ZESPÓŁ: | KASETA WZMACNIACZY I ZESPÓŁU MŁOTKOW / Z PŁYTKĄ 35-1068 / | 05 - Z |
| UZEL: | PANEL WZMACNIACZY - UZEL MŁOTKOW / С ПЛАТОЙ 35 - 1068 / | 401 - 02 402 403 |

ZL7
 № ОТКУДА НАИМЕН. СИГН. КОД.

| SKAD | NAZWA SYGNAKU | NR STYK | WLT BKŁ |
|------|---------------|---------|---------|
| 10-1 | ZZWŁ | 11 | ВЛ |
| 10-1 | -KZWŁ | 12 | КПВКЛ |
| 10-1 | -PCL | 13 | ПДМ |
| 10-1 | +PCL | 14 | ПДМ |
| 10-1 | -KZWYK | 21 | КПВЧК |
| 10-1 | ZZWYK | 22 | ЛПВЧК |
| 08-1 | -ZMW | 23 | -ИМВ |
| 09-1 | -ZSW | 31 | -ПСВ |
| 07-1 | +5V | 32 | |



№ КОД. НАИМЕН. СИГН.

| NR STYK | NAZWA SYGNAKU |
|---------|---------------|
| 21 | A05 |
| 22 | A06 |
| 14 | A04 |
| 13 | A03 |
| 11 | A01 |
| 12 | A02 |

№ ZL7
 КОД. НАИМЕН. СИГН. КОД.

| NR STYK | NAZWA SYGNAKU | DOKAD |
|---------|---------------|------------------------------|
| 34 | -ZWL | 12-2 13-2 |
| 41 | -ZNVZ | 08-1 |
| 42 | -ZSW | 13-2 |
| 51 | +5V* | 13-2 10-1 12-2 11-8 |
| 44 | +WZ5V | 07-1 |
| 52 | 0V | |

ZESPÓŁ: BŁOK AUTOMATYKI / Z PŁYTKAMI
 35-1008; 35-1010; 35-1012 /

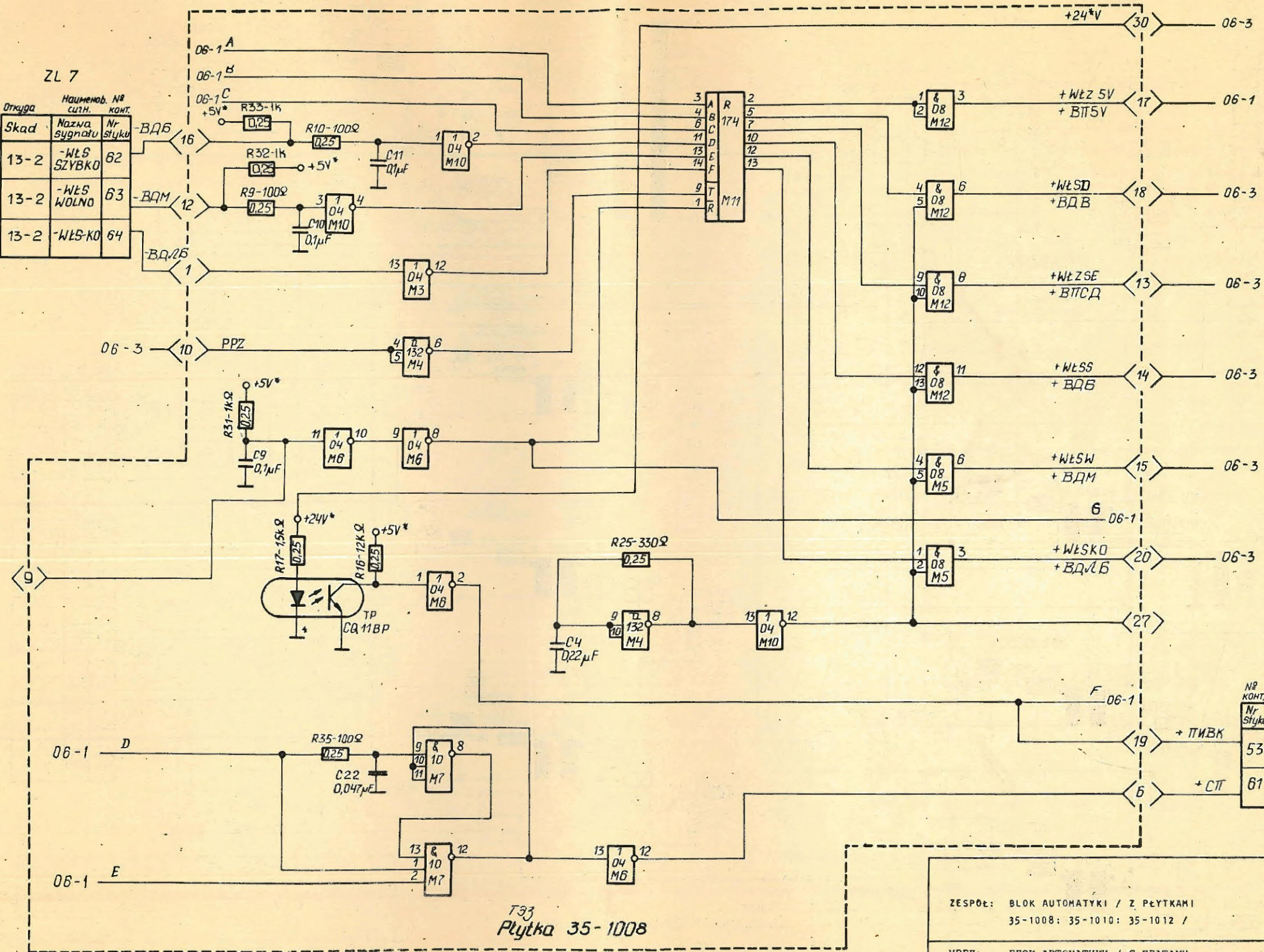
UZEBŁ: BŁOK AUTOMATYKI / S PŁATAMI
 35-1008; 35-1010; 35-1012 /

06 - 1

401 - 02
 402
 403

ZL 7

| Откуда | Наименов. № | № |
|---------|-------------|----|
| Skad | Nazwa | Nr |
| 13-2 | -WŁS | 62 |
| 13-2 | -WŁS | 63 |
| 13-2 | -WŁS-KO | 64 |
| быстро | SZYBK0 | 62 |
| медлен- | WOLNO | 63 |
| -но | K0 | 64 |

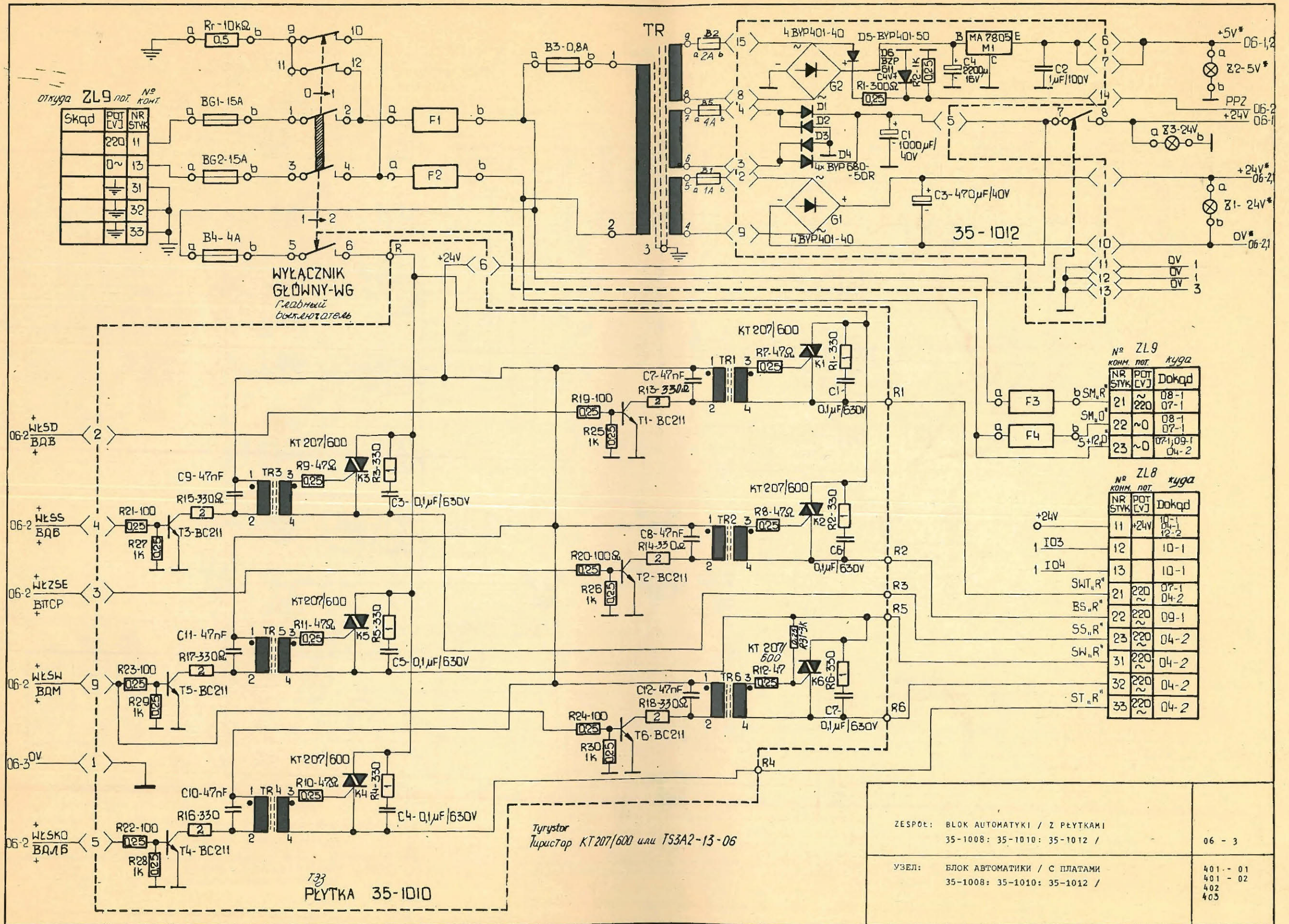


ZL 7

| № | наимен. | Куда |
|-------|---------|-------|
| № | Nazwa | Dokąd |
| Styki | Sygnatu | |
| 53 | +ZIWŁ | 11-6 |
| 61 | +PZ | 13-2 |

Т33
Płytki 35-1008

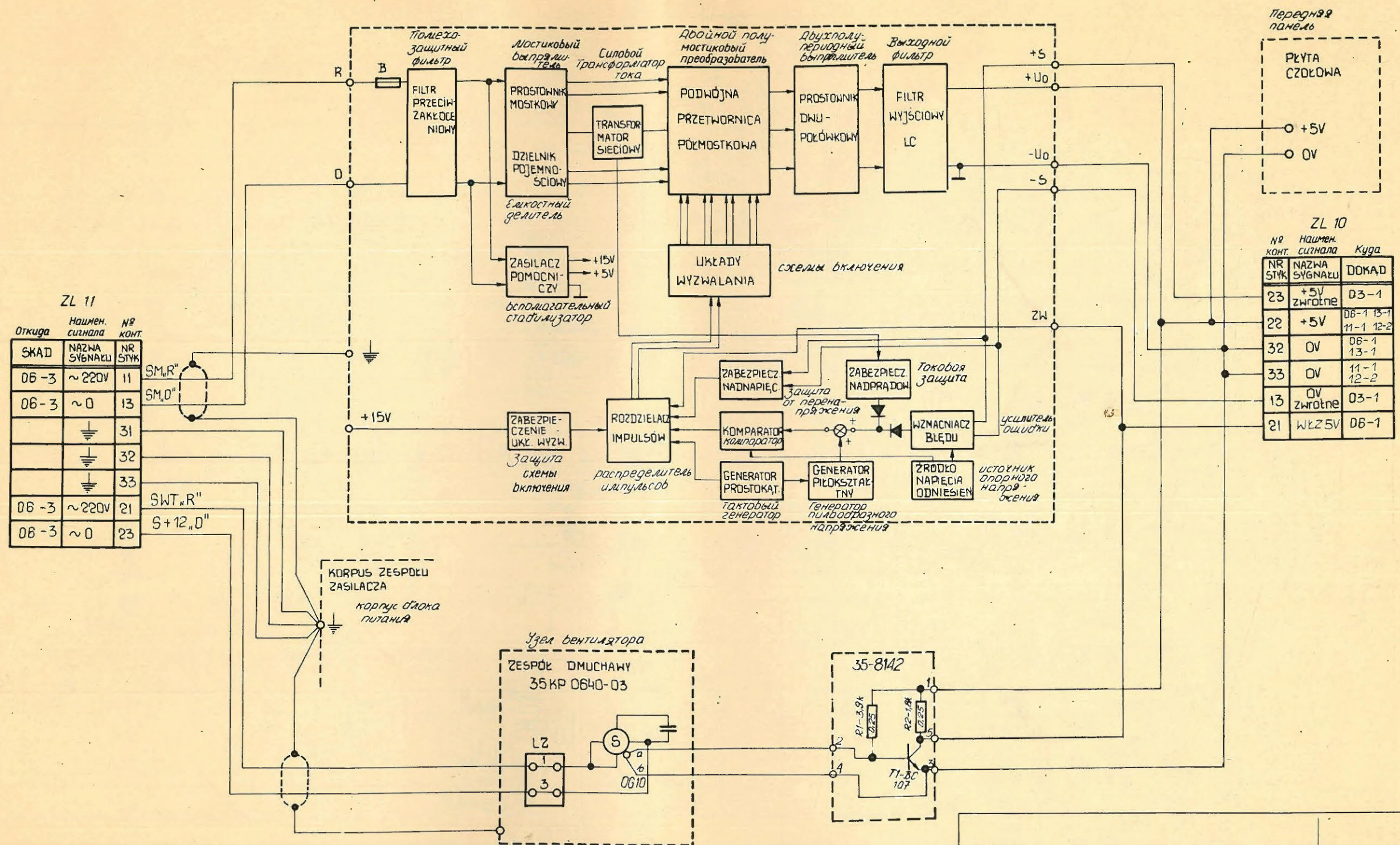
| | |
|---|------------------------------------|
| ZESPÓŁ: БЛОК АВТОМАТИКИ / З ПЛУТКАМИ 35-1008; 35-1010; 35-1012 / | 06 - 2 |
| УЗЕЛ: БЛОК АВТОМАТИКИ / С ПЛУТАМИ 35-1008; 35-1010; 35-1012 / | 401 - 01 401 - 02 402 403 |



ZESPÓŁ: BŁOK AUTOMATYKI / Z PŁYTKAMI
35-1008: 35-1010: 35-1012 /

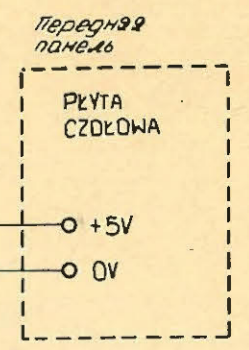
UZEL: BŁOK AUTOMATYKI / S PŁATAMI
35-1008: 35-1010: 35-1012 /

06 - 3
401 - 01
401 - 02
402
403



ZL 11

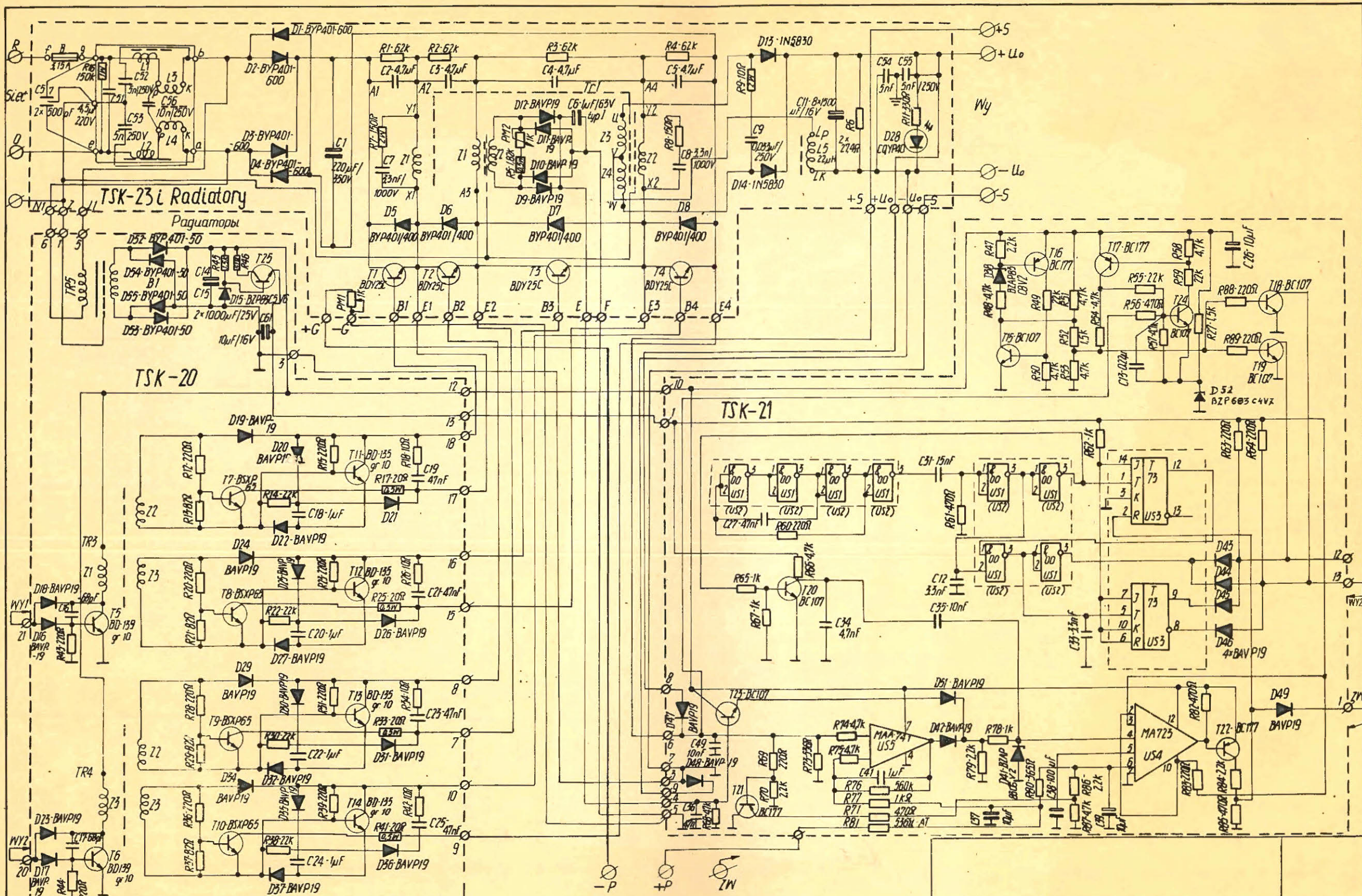
| Откуда | Наимен. сигнала | № конт. |
|--------|-----------------|---------|
| SKAD | NAZWA SYGNAŁU | NR STYK |
| 06-3 | ~220V | 11 |
| 06-3 | ~0 | 13 |
| | ⏏ | 31 |
| | ⏏ | 32 |
| | ⏏ | 33 |
| 06-3 | ~220V | 21 |
| 06-3 | ~0 | 23 |



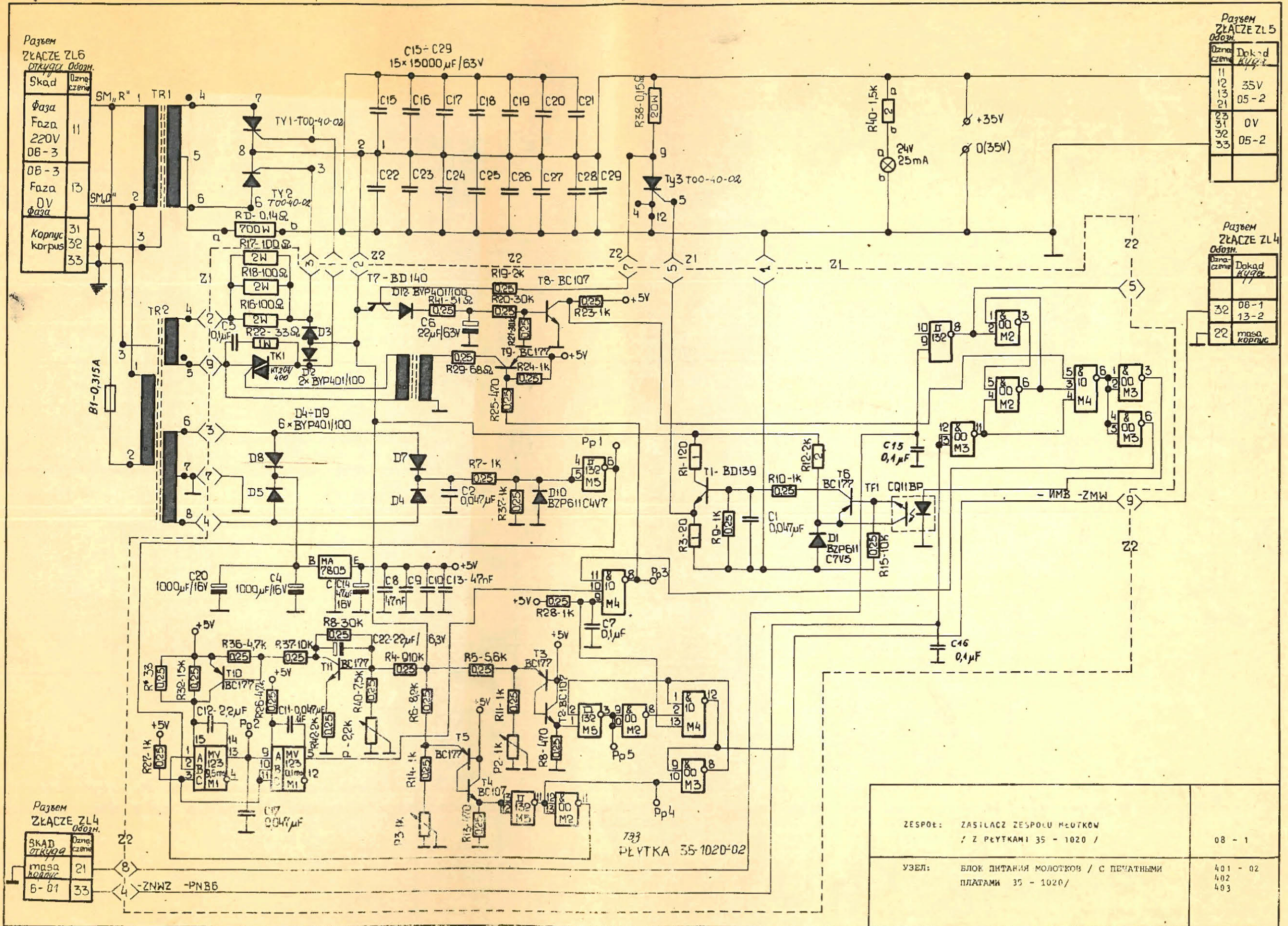
ZL 10

| № конт. | Наимен. сигнала | Куда |
|---------|-----------------|------------------------|
| NR STYK | NAZWA SYGNAŁU | DOKAD |
| 23 | +5V zwrotne | D3-1 |
| 22 | +5V | 06-1 13-1 11-1 12-2 |
| 32 | 0V | 06-1 13-1 |
| 33 | 0V | 11-1 12-2 |
| 13 | 0V zwrotne | 03-1 |
| 21 | WŁZ 5V | D6-1 |

| | | |
|---------|---|------------------------|
| ZESPÓŁ: | ZASILACZE STANDARDOWE / ZASILACZ EZP 5V 20A i DMUCHAWA/ | 07 - 1 |
| UZEL: | БЛОК ПИТАНИЯ ЭЛЕКТРОНИКИ / БЛОК 5В 20А и ВЕНТИЛЯТОР / | 401 - 02 402 403 |



| | | |
|---------|---|------------------------------------|
| ZESPÓŁ: | SCHEMAT ELEKTRYCZNY ZASILACZA EZP5V20A | 07 - 2 |
| УЗЕЛ: | ЭЛЕКТРИЧЕСКАЯ СХЕМА БЛОКА ПИТАНИЯ EZP 5V 20A | 401 - 01 401 - 02 402 403 |



Разъем
ЗЛАЧЕ ZL6
Открыта обмотка

| Skad | Означен |
|--------|---------|
| Фаза | 11 |
| Фаза | 13 |
| 0В-3 | 31 |
| Фаза | 32 |
| 0В | 33 |
| Корпус | |
| корпус | |

Разъем
ЗЛАЧЕ ZL5
Обмотка

| Означен | Доклад |
|---------|--------|
| 11 | 35V |
| 12 | 05-2 |
| 13 | 05-2 |
| 23 | 0V |
| 31 | 05-2 |
| 32 | |
| 33 | |

Разъем
ЗЛАЧЕ ZL4
Обмотка

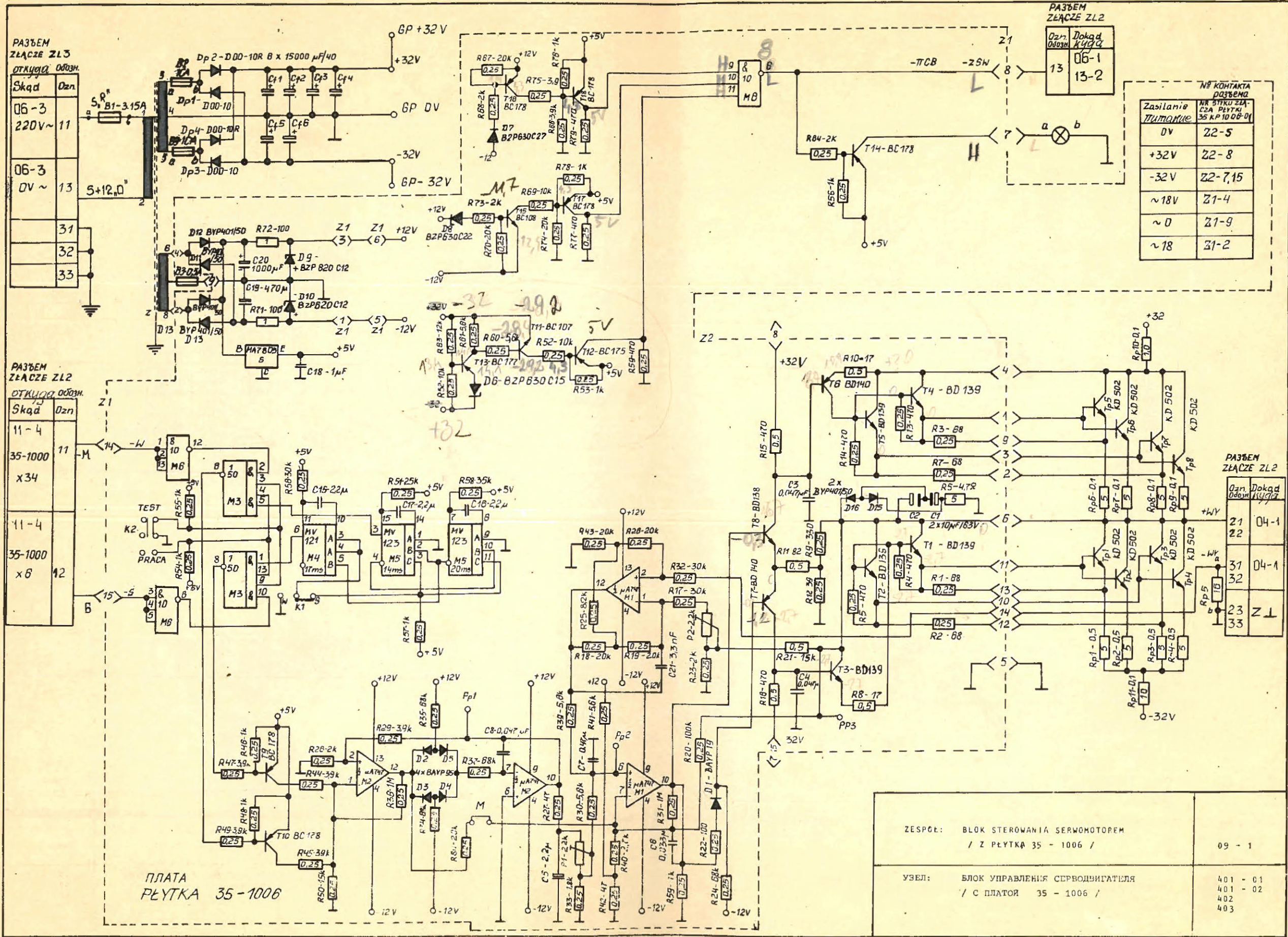
| Означен | Доклад |
|---------|--------------|
| 32 | 0В-1 |
| 13-2 | |
| 22 | масса корпус |

Разъем
ЗЛАЧЕ ZL4
Обмотка

| Skad | Означен |
|--------|---------|
| масса | 21 |
| корпус | |
| 6-01 | 33 |

| | | |
|---------|--|------------------------|
| ЗЕСПОД: | ZASILACZ ZESPOLU MŁOTKOW / Z PŁYTKAMI 35 - 1020 / | 08 - 1 |
| УЗЕЛ: | БЛОК ПИТАНИЯ МОЛОТКОВ / С ПЕЧАТНЫМИ ПЛАТАМИ 35 - 1020 / | 401 - 02 402 403 |

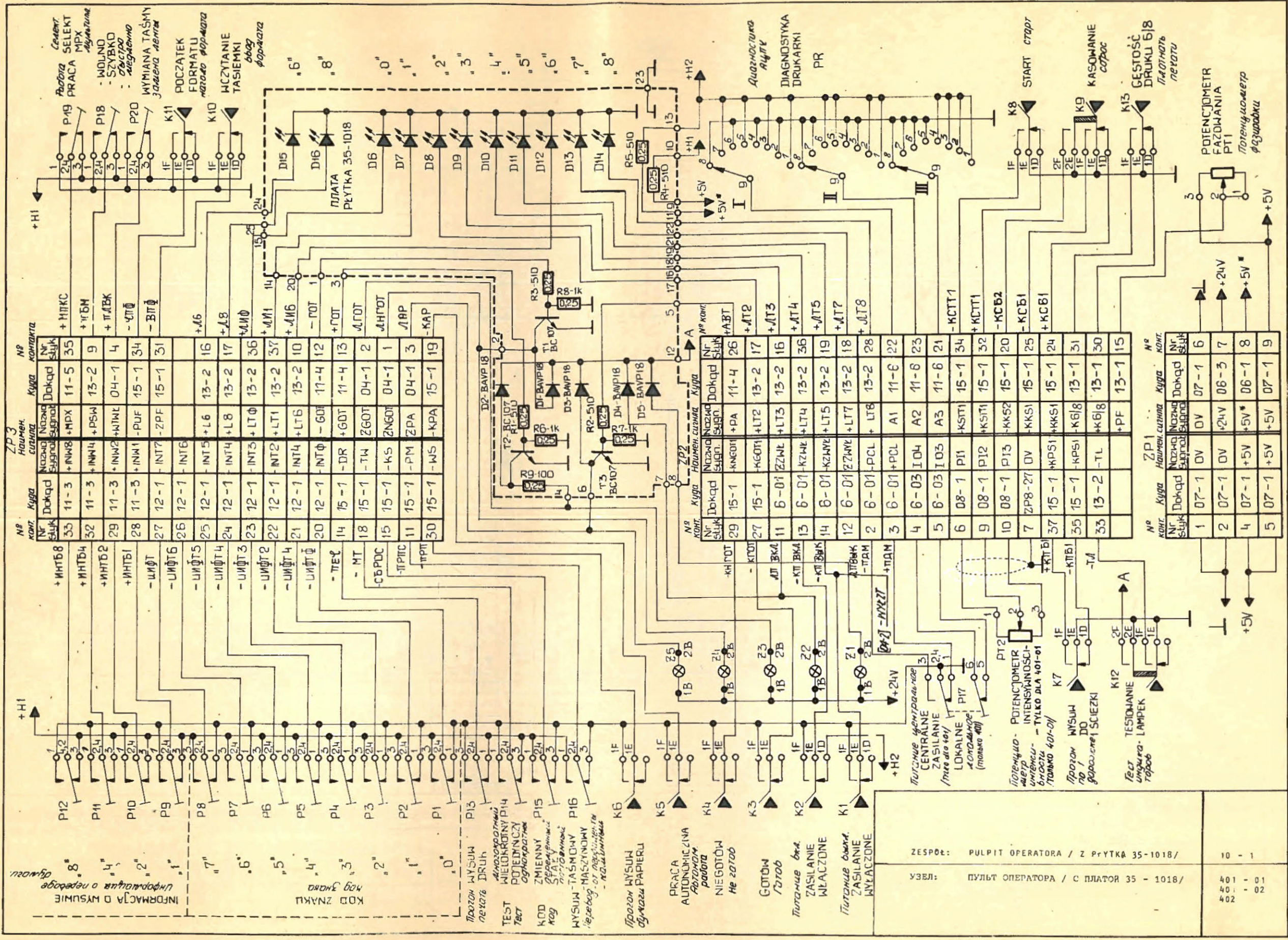
№ 9060 стан по ремонту



ZESPÓŁ: BLOK STEROWANIA SERWOMOTOREM / Z ПЛЫТКА 35 - 1006 / 09 - 1

УЗЕЛ: БЛОК УПРАВЛЕНИЯ СЕРВОДИВИГАТЕЛЯ / С ПЛАТОЙ 35 - 1006 / 401 - 01
401 - 02
402
403

Handwritten notes and markings at the bottom of the page, including component values and reference numbers.



ZP3
Наимен. сигнала

№ конт. кулда

№ конт. кулда

№ конт. кулда

№ конт. кулда

№ конт. кулда

№ конт. кулда

| № конт. кулда | № конт. кулда | № конт. кулда | № конт. кулда | № конт. кулда | № конт. кулда |
|---------------|---------------|---------------|---------------|---------------|---------------|
| 33 | 11-3 | +INW8 | +MPX | 11-5 | 35 |
| 32 | 11-3 | +INW4 | +PSW | 13-2 | 9 |
| 29 | 11-3 | +INW2 | +INWL | 04-1 | 4 |
| 28 | 11-3 | +INW1 | +PUF | 15-1 | 34 |
| 27 | 12-1 | -INT7 | -ZPF | 15-1 | 31 |
| 26 | 12-1 | -INT6 | | | |
| 25 | 12-1 | -INT5 | +L6 | 13-2 | 16 |
| 24 | 12-1 | -INT4 | +L8 | 13-2 | 17 |
| 23 | 12-1 | -INT3 | +LTΦ | 13-2 | 36 |
| 22 | 12-1 | -INT2 | +LT1 | 13-2 | 37 |
| 21 | 12-1 | -INT4 | +LT6 | 13-2 | 10 |
| 20 | 12-1 | -INT1 | -GOT | 11-4 | 12 |
| 14 | 15-1 | -DR | +GOT | 11-4 | 13 |
| 18 | 15-1 | -TW | ZGOT | 04-1 | 2 |
| 15 | 15-1 | -KS | ZNGOT | 04-1 | 1 |
| 11 | 15-1 | -PM | ZPA | 04-1 | 3 |
| 30 | 15-1 | -WS | -KPA | 15-1 | 19 |

| № конт. кулда | № конт. кулда | № конт. кулда | № конт. кулда | № конт. кулда | № конт. кулда |
|---------------|---------------|---------------|---------------|---------------|---------------|
| 33 | 11-3 | +INW8 | +MPX | 11-5 | 35 |
| 32 | 11-3 | +INW4 | +PSW | 13-2 | 9 |
| 29 | 11-3 | +INW2 | +INWL | 04-1 | 4 |
| 28 | 11-3 | +INW1 | +PUF | 15-1 | 34 |
| 27 | 12-1 | -INT7 | -ZPF | 15-1 | 31 |
| 26 | 12-1 | -INT6 | | | |
| 25 | 12-1 | -INT5 | +L6 | 13-2 | 16 |
| 24 | 12-1 | -INT4 | +L8 | 13-2 | 17 |
| 23 | 12-1 | -INT3 | +LTΦ | 13-2 | 36 |
| 22 | 12-1 | -INT2 | +LT1 | 13-2 | 37 |
| 21 | 12-1 | -INT4 | +LT6 | 13-2 | 10 |
| 20 | 12-1 | -INT1 | -GOT | 11-4 | 12 |
| 14 | 15-1 | -DR | +GOT | 11-4 | 13 |
| 18 | 15-1 | -TW | ZGOT | 04-1 | 2 |
| 15 | 15-1 | -KS | ZNGOT | 04-1 | 1 |
| 11 | 15-1 | -PM | ZPA | 04-1 | 3 |
| 30 | 15-1 | -WS | -KPA | 15-1 | 19 |

| № конт. кулда | № конт. кулда | № конт. кулда | № конт. кулда | № конт. кулда | № конт. кулда |
|---------------|---------------|---------------|---------------|---------------|---------------|
| 29 | 15-1 | +KNEOT | +PA | 11-4 | 26 |
| 27 | 15-1 | +GOT1 | +LT2 | 13-2 | 17 |
| 11 | 6-01 | ZZWL | +LT3 | 13-2 | 16 |
| 13 | 6-01 | KZWL | +LT4 | 13-2 | 36 |
| 14 | 6-01 | KZWL | +LT5 | 13-2 | 19 |
| 12 | 6-01 | ZZWL | +LT7 | 13-2 | 18 |
| 2 | 6-01 | PCL | +LT8 | 13-2 | 28 |
| 3 | 6-01 | PCL | A1 | 11-6 | 22 |
| 4 | 6-03 | IO4 | A2 | 11-6 | 23 |
| 5 | 6-03 | IO3 | A3 | 11-6 | 21 |
| 6 | 08-1 | PI1 | -KST1 | 15-1 | 34 |
| 9 | 08-1 | PI2 | +KST1 | 15-1 | 32 |
| 10 | 08-1 | PI3 | -KKS2 | 15-1 | 20 |
| 7 | ZP8-27 | OV | -KKS1 | 15-1 | 24 |
| 37 | 15-1 | +KPS1 | +KKS1 | 15-1 | 31 |
| 35 | 15-1 | -KPS1 | K6 8 | 13-1 | 30 |
| 33 | 13-2 | -TL | +K6 8 | 13-1 | 30 |
| | | | +PF | 13-1 | 15 |

| № конт. кулда | № конт. кулда | № конт. кулда | № конт. кулда | № конт. кулда | № конт. кулда |
|---------------|---------------|---------------|---------------|---------------|---------------|
| 1 | 07-1 | OV | OV | 07-1 | 6 |
| 2 | 07-1 | OV | +24V | 06-3 | 7 |
| 4 | 07-1 | +5V | +5V* | 06-1 | 8 |
| 5 | 07-1 | +5V | +5V | 07-1 | 9 |

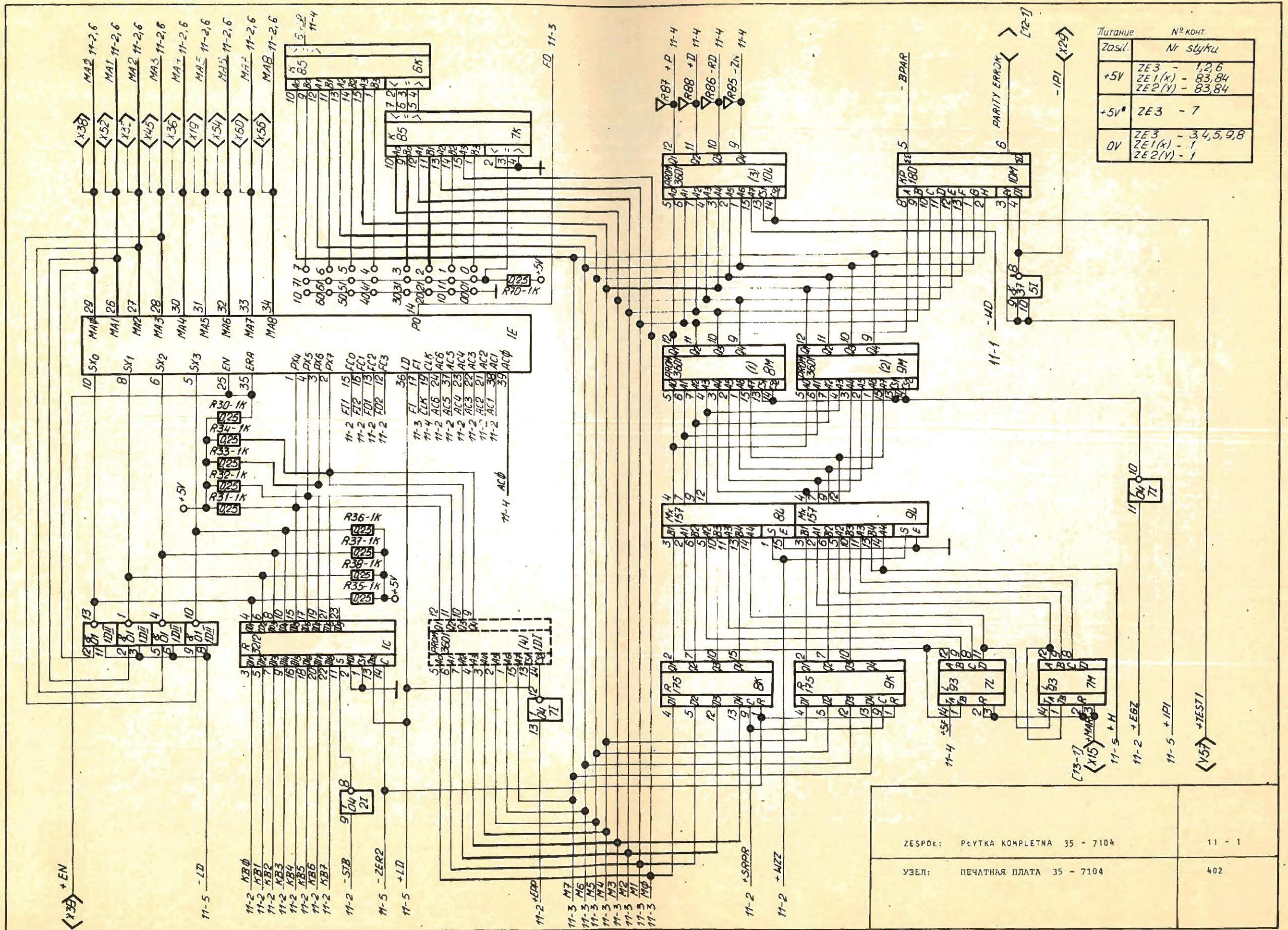
| № конт. кулда | № конт. кулда | № конт. кулда | № конт. кулда | № конт. кулда | № конт. кулда |
|---------------|---------------|---------------|---------------|---------------|---------------|
| 29 | 15-1 | +KNEOT | +PA | 11-4 | 26 |
| 27 | 15-1 | +GOT1 | +LT2 | 13-2 | 17 |
| 11 | 6-01 | ZZWL | +LT3 | 13-2 | 16 |
| 13 | 6-01 | KZWL | +LT4 | 13-2 | 36 |
| 14 | 6-01 | KZWL | +LT5 | 13-2 | 19 |
| 12 | 6-01 | ZZWL | +LT7 | 13-2 | 18 |
| 2 | 6-01 | PCL | +LT8 | 13-2 | 28 |
| 3 | 6-01 | PCL | A1 | 11-6 | 22 |
| 4 | 6-03 | IO4 | A2 | 11-6 | 23 |
| 5 | 6-03 | IO3 | A3 | 11-6 | 21 |
| 6 | 08-1 | PI1 | -KST1 | 15-1 | 34 |
| 9 | 08-1 | PI2 | +KST1 | 15-1 | 32 |
| 10 | 08-1 | PI3 | -KKS2 | 15-1 | 20 |
| 7 | ZP8-27 | OV | -KKS1 | 15-1 | 24 |
| 37 | 15-1 | +KPS1 | +KKS1 | 15-1 | 31 |
| 35 | 15-1 | -KPS1 | K6 8 | 13-1 | 30 |
| 33 | 13-2 | -TL | +K6 8 | 13-1 | 30 |
| | | | +PF | 13-1 | 15 |

| № конт. кулда | № конт. кулда | № конт. кулда | № конт. кулда | № конт. кулда | № конт. кулда |
|---------------|---------------|---------------|---------------|---------------|---------------|
| 1 | 07-1 | OV | OV | 07-1 | 6 |
| 2 | 07-1 | OV | +24V | 06-3 | 7 |
| 4 | 07-1 | +5V | +5V* | 06-1 | 8 |
| 5 | 07-1 | +5V | +5V | 07-1 | 9 |

| № конт. кулда | № конт. кулда | № конт. кулда | № конт. кулда | № конт. кулда | № конт. кулда |
|---------------|---------------|---------------|---------------|---------------|---------------|
| 1 | 07-1 | OV | OV | 07-1 | 6 |
| 2 | 07-1 | OV | +24V | 06-3 | 7 |
| 4 | 07-1 | +5V | +5V* | 06-1 | 8 |
| 5 | 07-1 | +5V | +5V | 07-1 | 9 |

| № конт. кулда | № конт. кулда | № конт. кулда | № конт. кулда | № конт. кулда | № конт. кулда |
|---------------|---------------|---------------|---------------|---------------|---------------|
| 1 | 07-1 | OV | OV | 07-1 | 6 |
| 2 | 07-1 | OV | +24V | 06-3 | 7 |
| 4 | 07-1 | +5V | +5V* | 06-1 | 8 |
| 5 | 07-1 | +5V | +5V | 07-1 | 9 |

| | | |
|---------|---------------------------------------|----------|
| ZESPÓŁ: | PULPIT OPERATORA / Z PŁYTKĄ 35-1018/ | 10 - 1 |
| UZEL: | ПУЛЬТ ОПЕРАТОРА / С ПЛАТОЙ 35 - 1018/ | 401 - 01 |
| | | 401 - 02 |
| | | 402 |



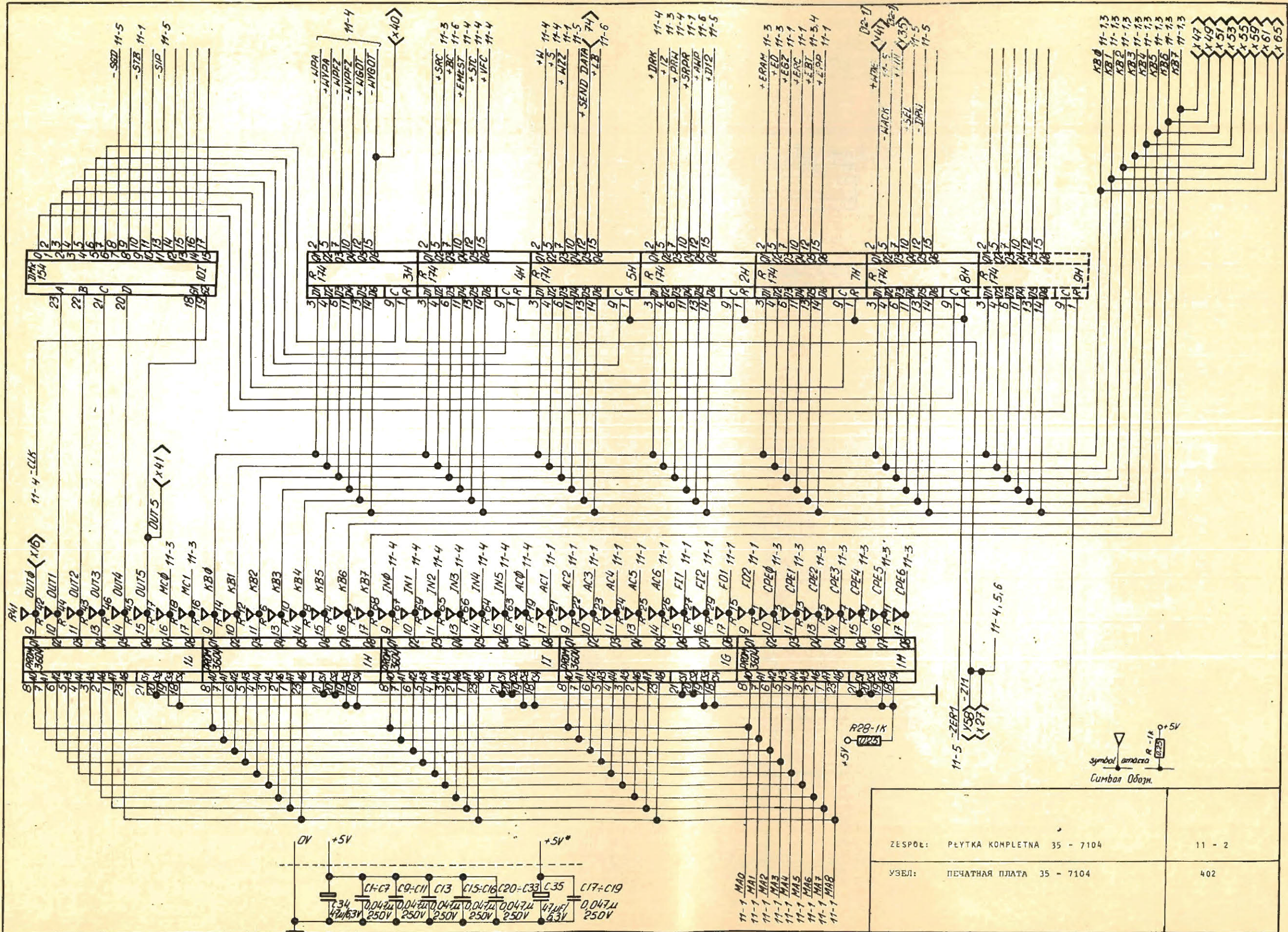
| Титанум | № КОИТ. |
|---------|---|
| Засил. | № стьку |
| +5V | ZE3 - 1,2,6 ZE1(X) - 83,84 ZE2(Y) - 83,84 |
| +5V* | ZE3 - 7 |
| 0V | ZE3 - 3,4,5,9,8 ZE1(X) - 1 ZE2(Y) - 1 |

ЗЕСПОД: ПЛУТКА КОМПЕТНА 35 - 7104

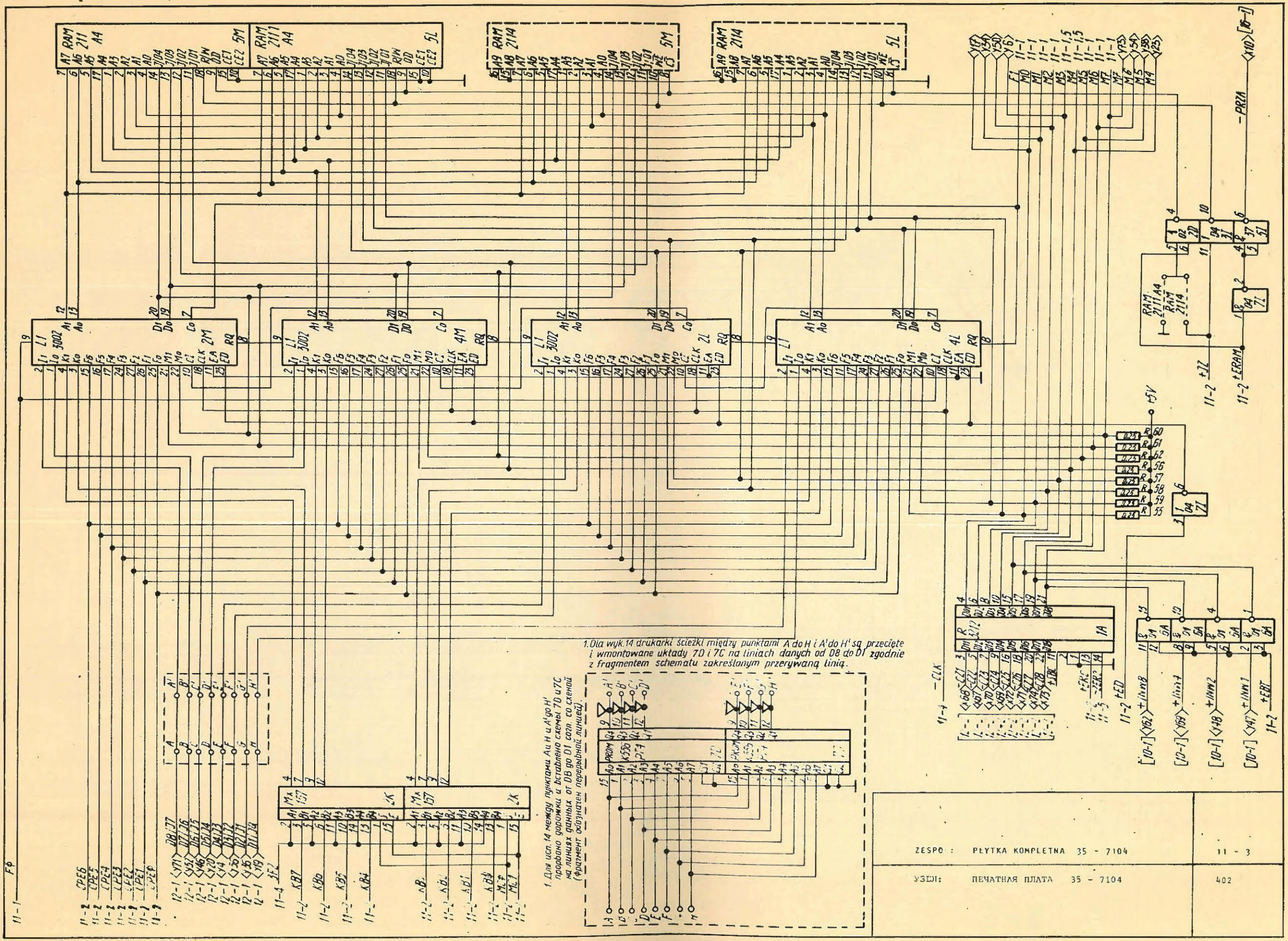
УЗЕЛ: ПЕЧАТНАЯ ПЛАТА 35 - 7104

11 - 1

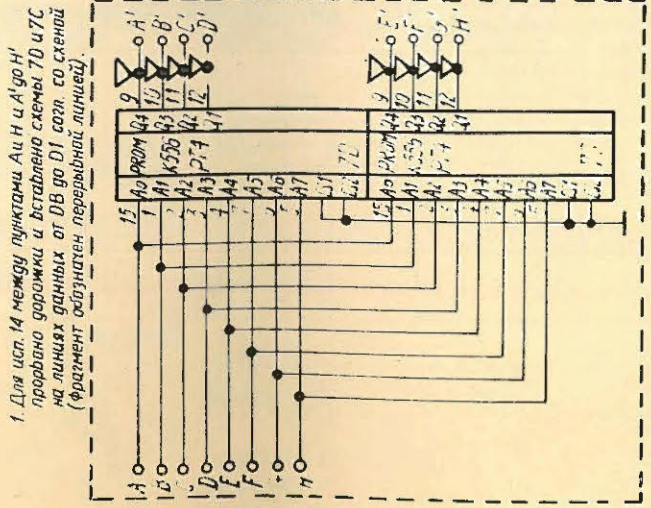
402



| | | |
|---------|----------------------------|--------|
| ЗЕСПОЛ: | ПЛУТКА КОМПЕТНА 35 - 7104 | 11 - 2 |
| УЗЕЛ: | ПЕЧАТНАТА ПЛУТКА 35 - 7104 | 402 |



1. Dla wyk. 14 drukarki ścieżki między punktami A do H i A' do H' są przecięte i wmontowane układy 7D i 7C na liniach danych od D8 do D1 zgodnie z fragmentem schematu zakreślonym przerywaną linią.

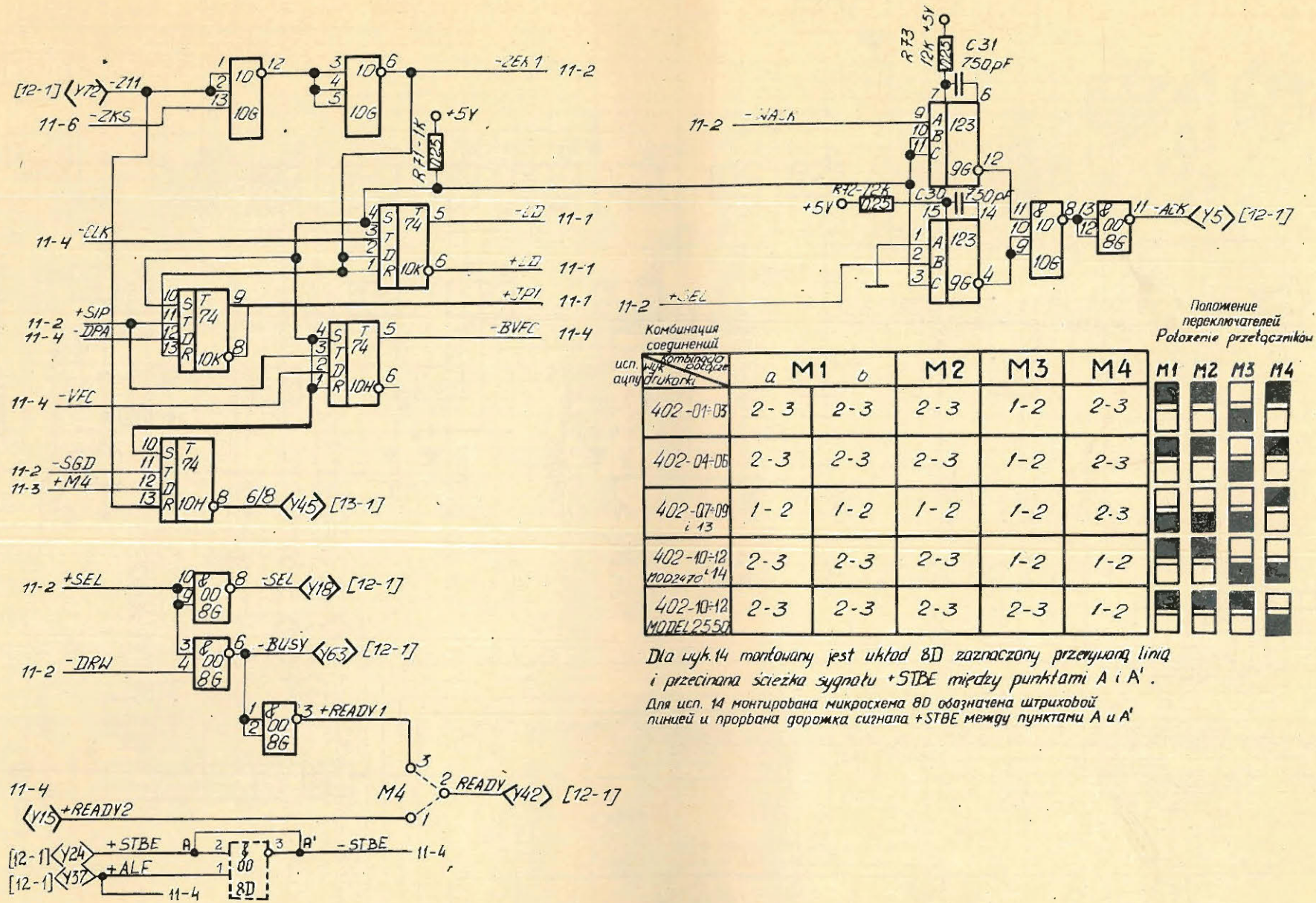


ZESPÓŁ: PŁYTKA KOMPLETNA 35 - 7104

UZĘDZI: PEČATNA PŁYTKA 35 - 7104

11 - 3

402

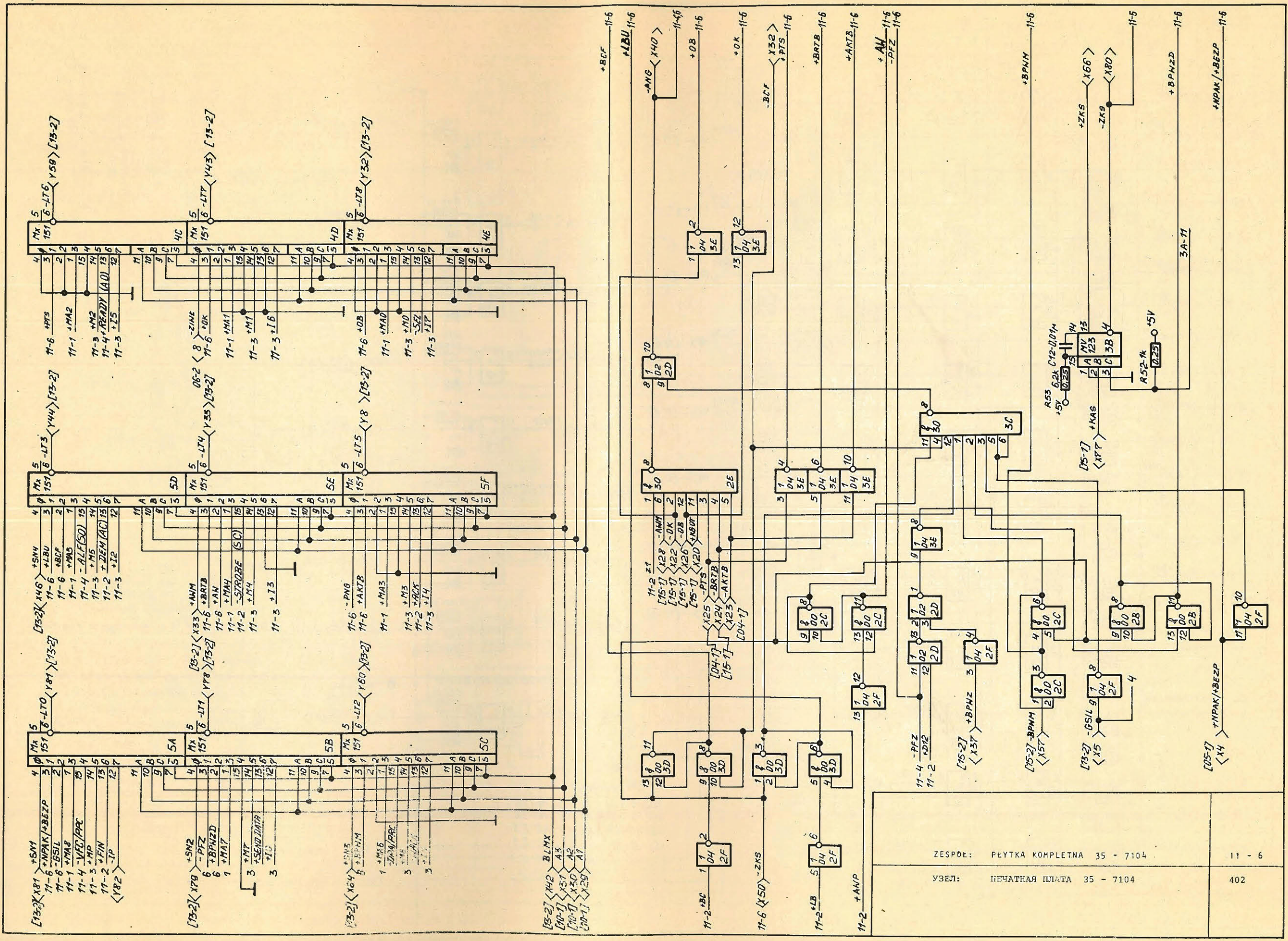


Комбинация соединений
исл. акц./пробка

| исл. акц./пробка | а | M1 | б | M2 | M3 | M4 | Положение переключателей Pozycja przelacznikow | | | |
|---------------------------------------|-----|----|-----|-----|-----|-----|---|----|----|----|
| | | | | | | | M1 | M2 | M3 | M4 |
| 402-01-03 | 2-3 | | 2-3 | 2-3 | 1-2 | 2-3 | ☐ | ☐ | ☐ | ☐ |
| 402-04-05 | 2-3 | | 2-3 | 2-3 | 1-2 | 2-3 | ☐ | ☐ | ☐ | ☐ |
| 402-07-09 i 13 | 1-2 | | 1-2 | 1-2 | 1-2 | 2-3 | ☐ | ☐ | ☐ | ☐ |
| 402-10-12 MODEL 2470 ¹⁴ | 2-3 | | 2-3 | 2-3 | 1-2 | 1-2 | ☐ | ☐ | ☐ | ☐ |
| 402-10-12 MODEL 2550 | 2-3 | | 2-3 | 2-3 | 2-3 | 1-2 | ☐ | ☐ | ☐ | ☐ |

Dla wyk. 14 montowany jest układ 8D oznaczony przerywaną linią i przecinana ścieżka sygnału +STBE między punktami A i A'.
 Для исп. 14 монтирована микросхема 8D обозначена штриховой линией и прорвана дорожка сигнала +STBE между пунктами A и A'.

| | |
|------------------------------------|--------|
| ZESPÓŁ: PŁYTKA KOMPLETNA 35 - 7104 | 11 - 5 |
| UZEL: PĘCZATNA PŁATA 35 - 7104 | 402 |

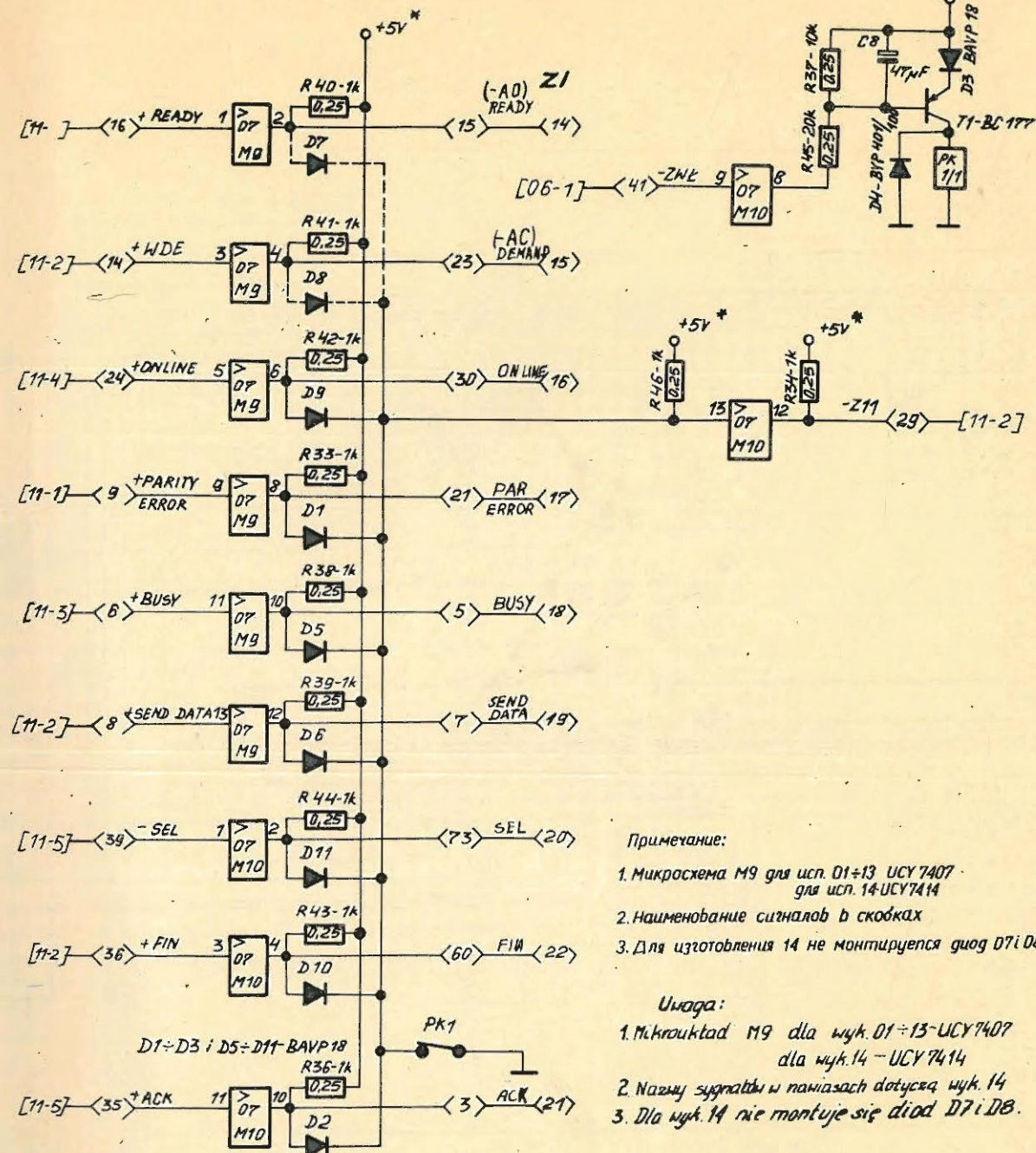
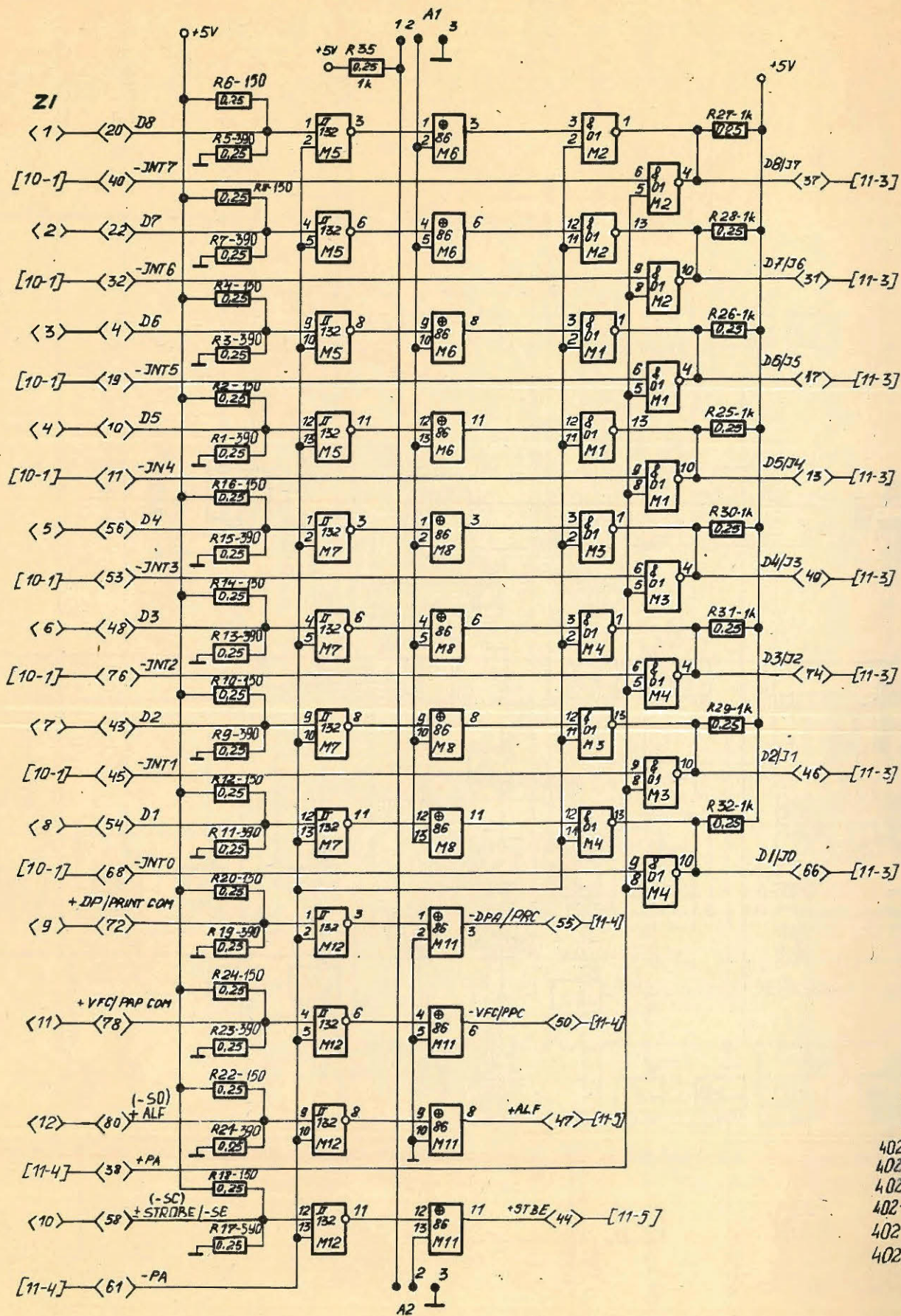


ЗСПДБ: ПЕЧАТКА КОМПЕТНА 35 - 7104

УЗЕЛ: ПЕЧАТНАЯ ПЛАТА 35 - 7104

11 - 6

402



- Примечание:
1. Микросхема M9 для исп. 01÷13 UCY7407 для исп. 14-UCY7414
 2. Наименование сигналов в скобках
 3. Для изготовления 14 не монтируется диод D7 и D8

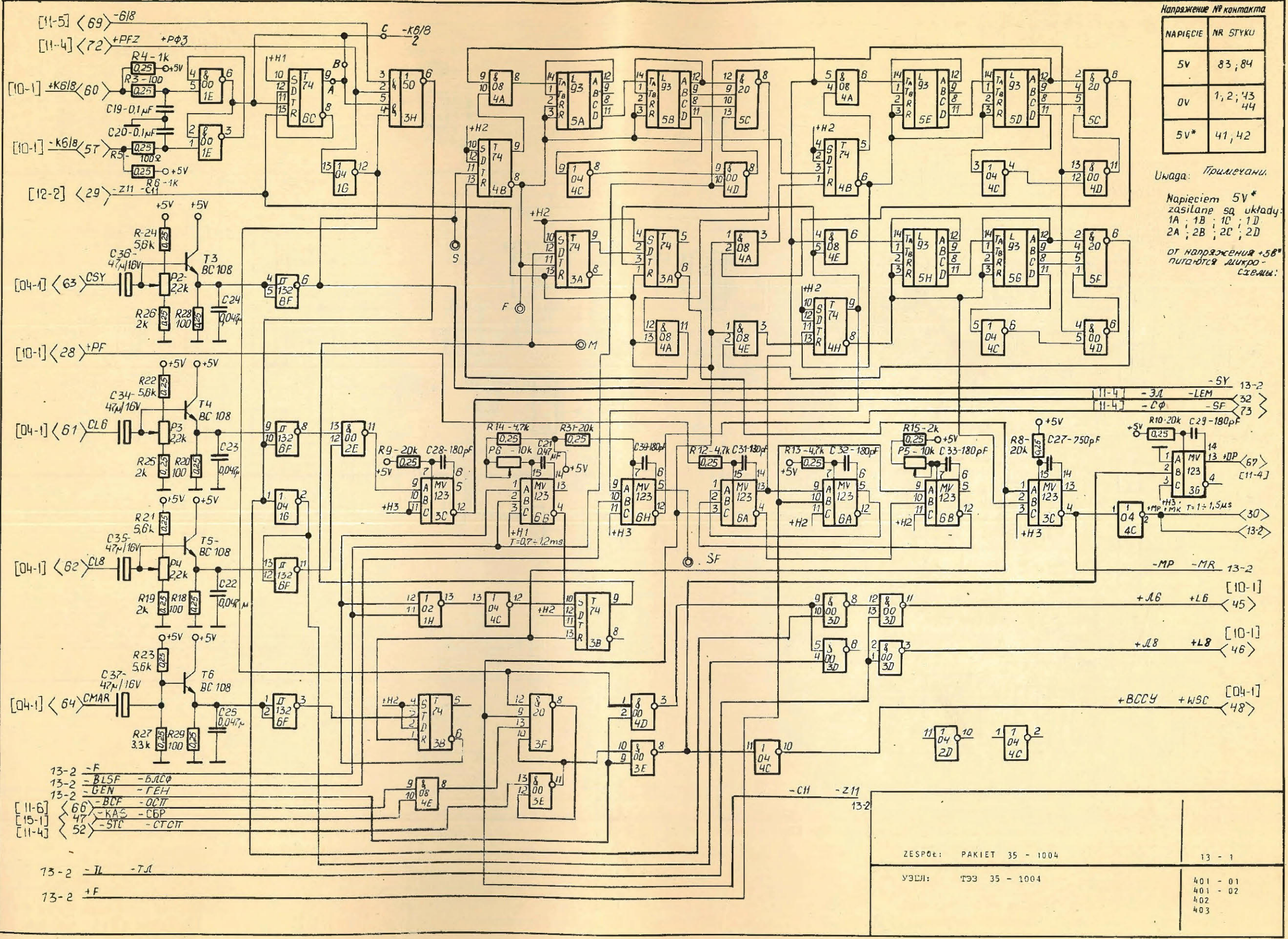
- Уввага:
1. Микросхемат M9 для вых. 01÷13-UCY7407 для вых. 14-UCY7414
 2. Назвы сыгналаў у навісках датычаюць вых. 14
 3. Для вых. 14 не монтуецца дыод D7 і D8.

Для исп.

Для выканання

- 402-01÷03 A1-2,3; A2-1,2
- 402-04÷06 A1-1,2; A2-1,2
- 402-07÷09 A1-1,2; A2-2,3
- 402-10÷12 A1-1,2; A2-2,3
- 402-13 A1-1,2; A2-2,3
- 402-14 A1-2,3; A2-2,3

| | |
|--------------------------|--------|
| ZESPÓŁ: PAKIET 35 - 7106 | 12 - 1 |
| V3EJ1: T93 35-7106 | 402 |



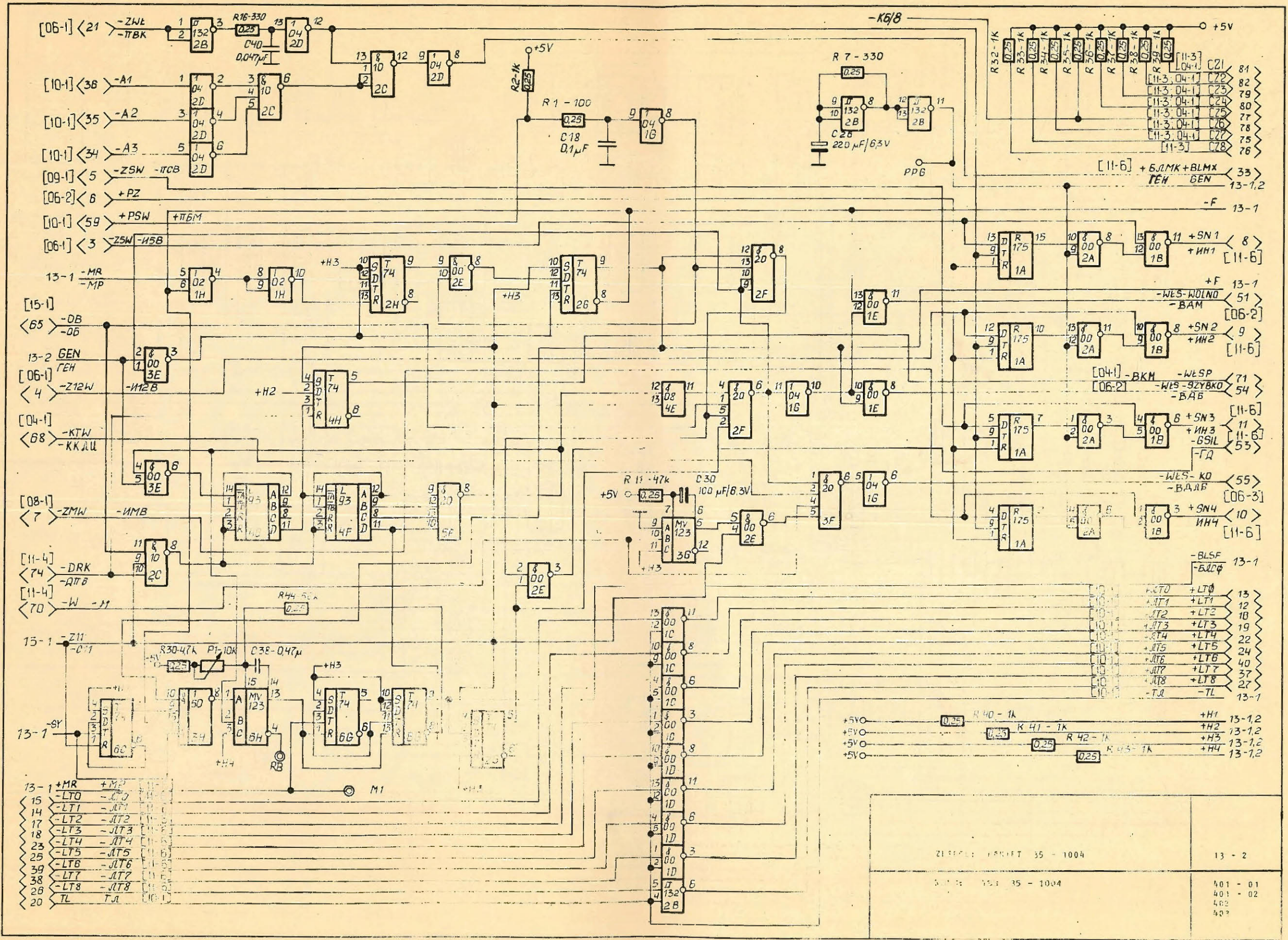
Напряжение № контакта

| НАПРЯЖЕНИЕ | №Р СТЫКУ |
|------------|--------------|
| 5V | 83, 84 |
| 0V | 1, 2, 43, 44 |
| 5V* | 41, 42 |

Увага: *Примечания.*
 Напругам 5V*
 зашлан са уклады:
 1A; 1B; 1C; 1D
 2A; 2B; 2C; 2D
 от напруга 5V*
 питаються микро-
 схемны:

- 13-2 -F
- 13-2 -BLSF -BLCФ
- 13-2 -GEN -ГЕН
- [11-6] <66> -BCF -OCIT
- [15-1] <47> -KAS -CBP
- [11-4] <52> -STC -CTCT
- 13-2 -TL -TЛ
- 13-2 +F

ZESPOL: PAKJET 35 - 1004
 Y3LH: TЭ3 35 - 1004
 13 - 1
 401 - 01
 401 - 02
 402
 403

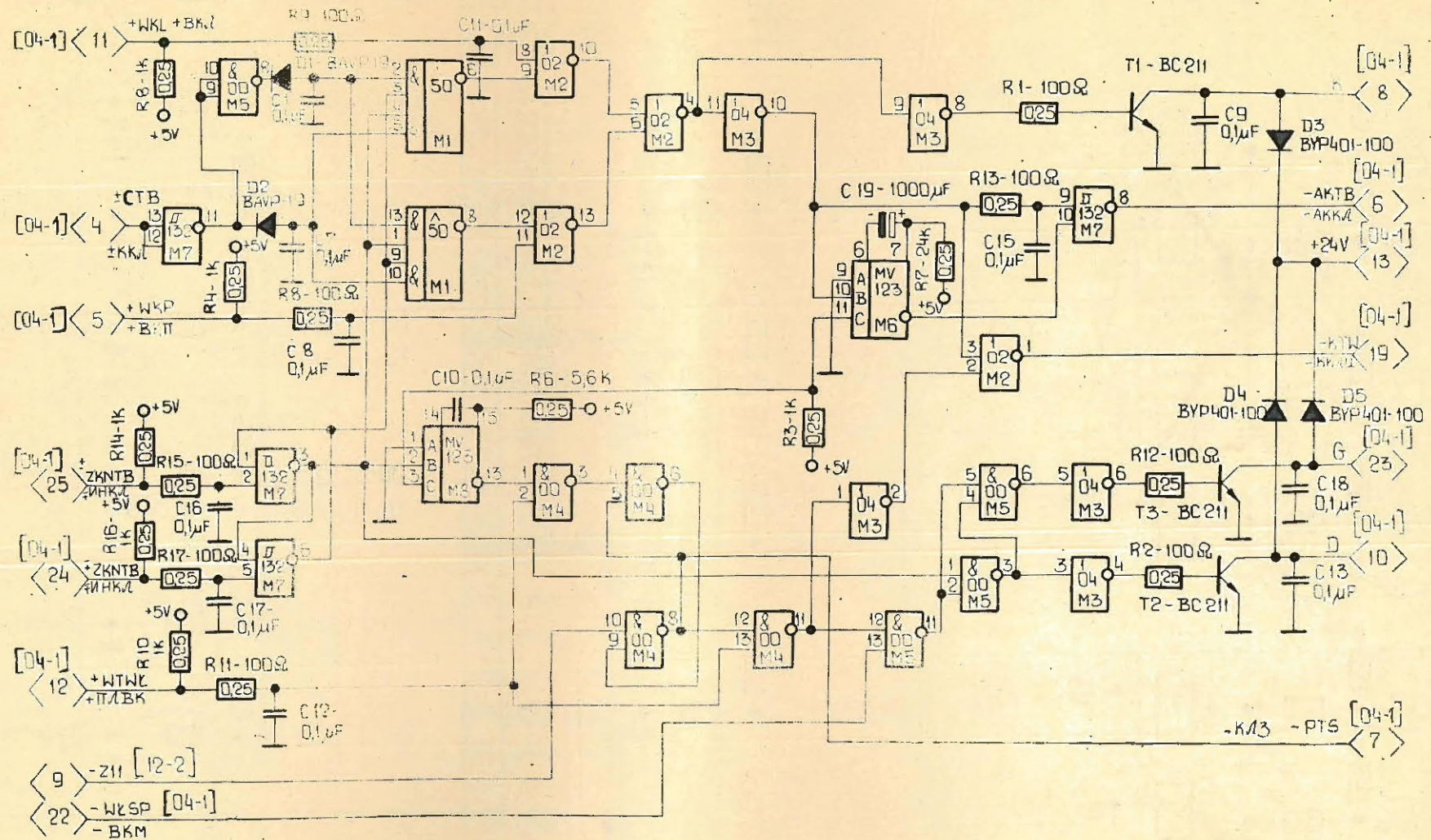


| | | |
|------|------|------|
| 13-1 | +MR | +MP |
| 15 | -LT0 | -LT0 |
| 14 | -LT1 | -LT1 |
| 17 | -LT2 | -LT2 |
| 18 | -LT3 | -LT3 |
| 23 | -LT4 | -LT4 |
| 25 | -LT5 | -LT5 |
| 39 | -LT6 | -LT6 |
| 38 | -LT7 | -LT7 |
| 26 | -LT8 | -LT8 |
| 20 | TL | TL |

| | | | |
|-----|--------|-----|--------|
| +5V | R40-1k | +H1 | 13-1,2 |
| +5V | K41-1k | +H2 | 13-1,2 |
| +5V | R42-1k | +H3 | 13-1,2 |
| +5V | R43-1k | +H4 | 13-1,2 |

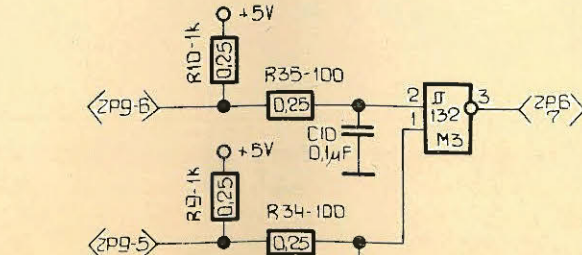
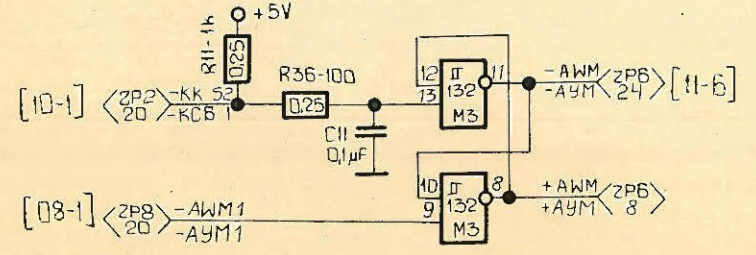
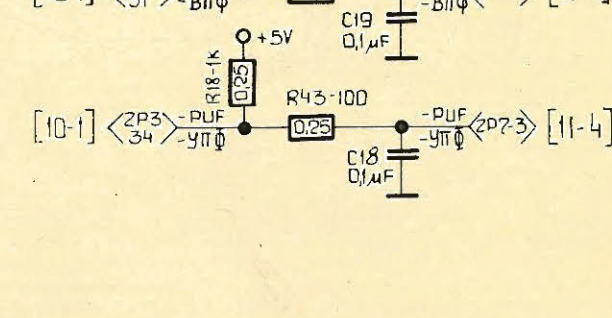
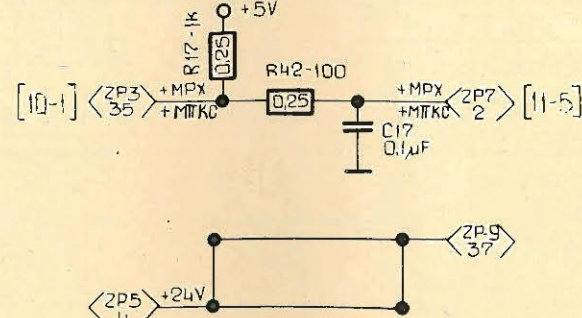
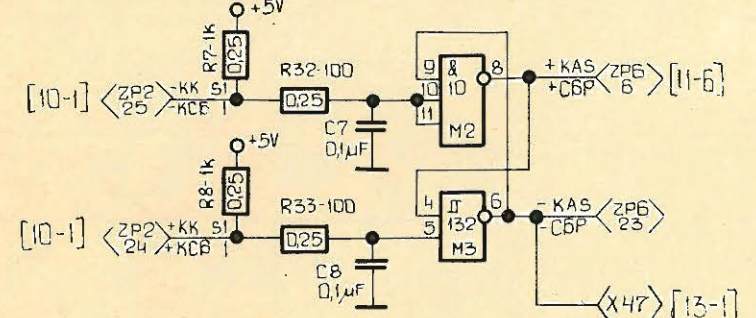
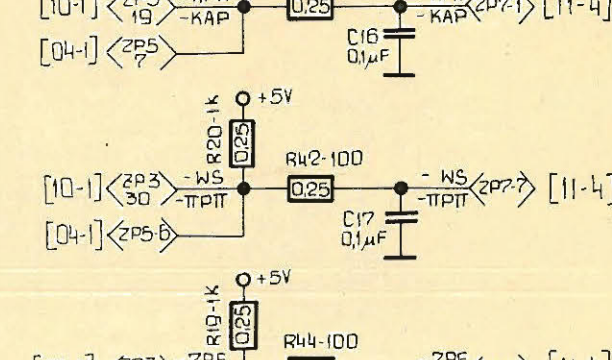
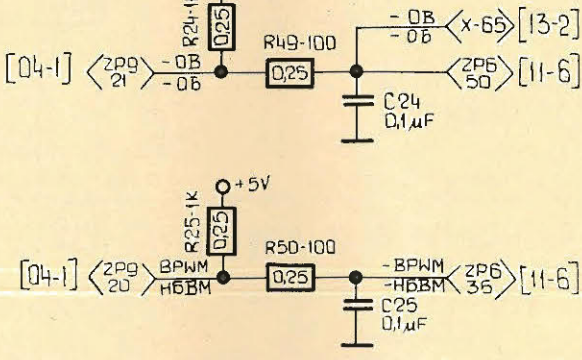
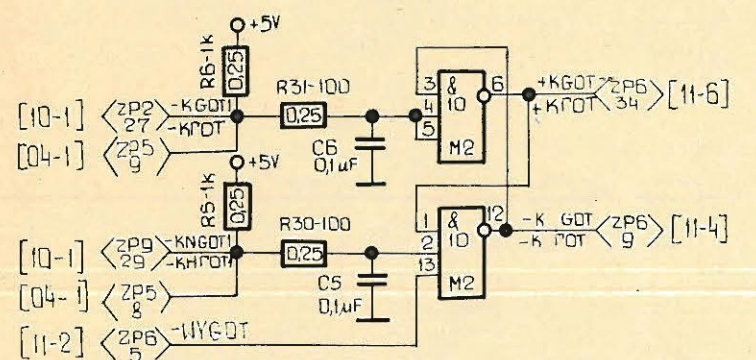
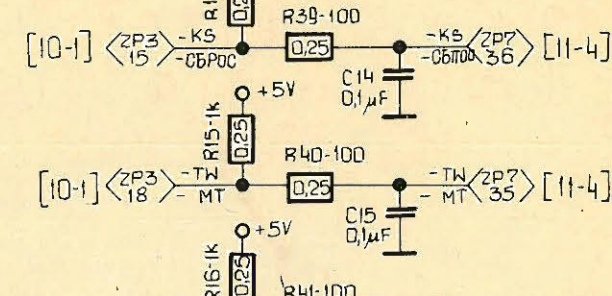
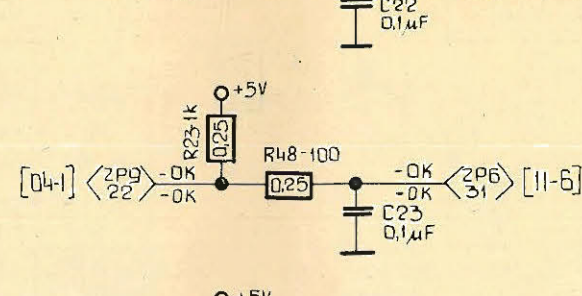
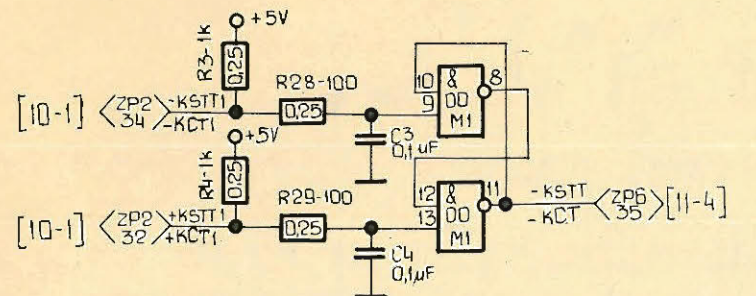
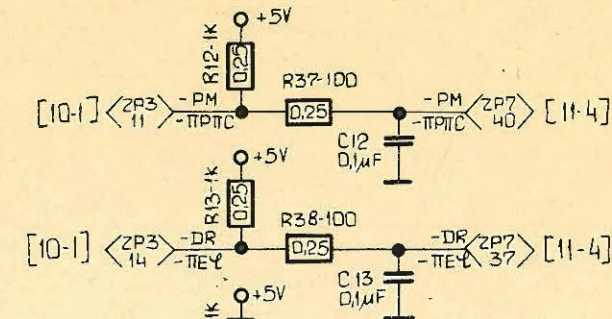
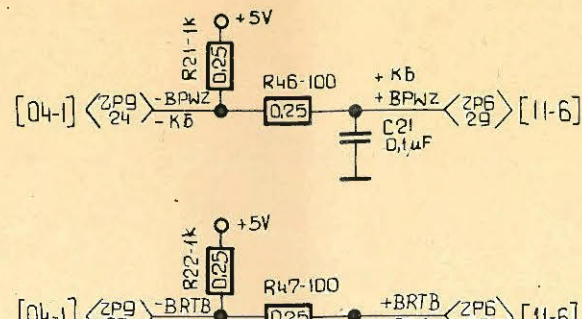
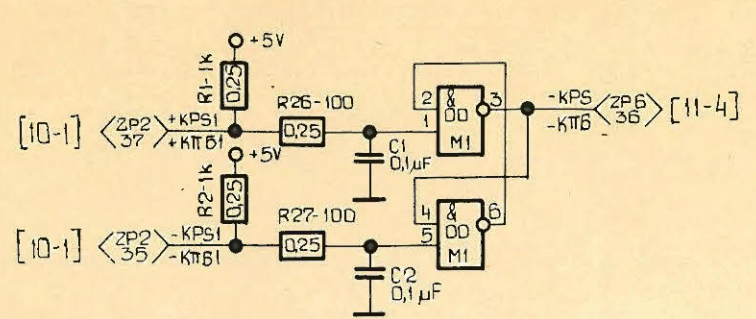
ZI 35-1004 13-2

401-01
401-02
402
403



| | |
|------|---------------|
| 0V | 2, 15, 16, 17 |
| +5V | 1, 14 |
| +24V | 13 |

| | |
|------------------------------------|------------------------------------|
| ZESPOL: PEYTKA KOMPLETNA 35 - 1024 | 14 - 1 |
| UZEL: PECHATNAYA PLATA 35 - 1024 | 401 - 01 401 - 02 402 403 |



| | |
|-----------------------------------|-----------------------------|
| ZESPOL: ПЛУТКА КОМПЕТНА 35 - 1034 | 15 - 1 |
| УЗЕЛ: ПЕЧАТНАЯ ПЛУТКА 35 - 1034 | 401 - 01 401 - 02 402 |

| Lp n/n | Skad otkrycia | Dokad krycia | Nazwa sygnatu Наименование сигнала | Uwagi Примечания |
|-----------|------------------|-----------------|---------------------------------------|---------------------|
| 1 | ZP2-2 | ZP3-25 | -PCL -ПДМ | |
| 2 | ZP2-3 | ZP3-24 | +PCL +ПДМ | |
| 3 | ZP2-4 | ZP3-23 | Г04 | |
| 4 | ZP2-5 | ZP3-22 | Г03 | |
| 5 | ZP2-6 | ZP3-21 | P11 | |
| 6 | ZP2-9 | ZP3-1 | P12 | |
| 7 | ZP2-10 | ZP3-2 | P13 | |
| 8 | ZP2-11 | ZP3-3 | ZZWYL ЛТВБМ | |
| 9 | ZP2-12 | ZP3-4 | ZZWYL ЛТВБМ | |
| 10 | ZP2-13 | ZP3-5 | -KZWYL -КТВБМ | |
| 11 | ZP2-14 | ZP3-6 | -KZWYL -КТВБМ | |
| 12 | ZP2-15 | X-28 | PF | |
| 13 | ZP2-16 | X-19 | WLT3 ВЛМ3 | |
| 14 | ZP2-17 | X-16 | WLT2 ВЛМ2 | |
| 15 | ZP2-18 | X-37 | WLT7 ВЛМ7 | |
| 16 | ZP2-19 | X-24 | WLT5 ВЛМ5 | |
| 17 | ZP2-20 | M3-13 | -WKS2 ВСБ2 | F |
| 18 | ZP2-21 | X-34 | A3 | |
| 19 | ZP2-22 | ZP6-13 | A3 | |
| 20 | ZP2-23 | X-35 | A1 | |
| 21 | ZP2-24 | ZP6-15 | A1 | |
| 22 | ZP2-25 | X-35 | A2 | |
| 23 | ZP2-26 | ZP6-14 | A2 | |
| 24 | ZP2-27 | M3-5 | +KKS1 КСБ1 | F |
| 25 | ZP2-28 | M2-10,11 | -KKS1 КСБ1 | F |
| 26 | ZP2-29 | ZP6-4 | +PA АВТ | F |
| 27 | ZP2-30 | M2-4,5 | -KGT1 -КГОТ1 | F |
| 28 | ZP2-31 | ZP5-9 | -KGT1 -КГОТ1 | F |
| 29 | ZP2-32 | X-27 | -WLT8 -ВЛМ8 | F |
| 30 | ZP2-33 | M2-2 | -KNGOT1 -КНГОТ | F |
| 31 | ZP2-34 | ZP5-8 | -KNGOT1 -КНГОТ | F |
| 32 | ZP2-35 | X-57 | -K6 | F |
| 33 | ZP2-36 | X-60 | -K8 | F |
| 34 | ZP2-37 | M1-13 | +KSTT1 +КСТ1 | F |
| 35 | ZP2-38 | X-20 | -TL -ТЛ | F |
| 36 | ZP2-39 | M1-9 | -KSTT1 -КСТ1 | F |
| 37 | ZP2-40 | M1-5 | +KPS1 +КПС | F |
| 38 | ZP2-41 | X-22 | +WLT4 +ВЛМ4 | F |
| 39 | ZP2-42 | M1-1 | -KPS1 -КПС | F |
| 40 | ZP2-43 | ZP5-1 | ZNGOT ЛНГОТ | F |
| 41 | ZP2-44 | ZP5-2 | ZGOT ЛГОТ | F |
| 42 | ZP2-45 | ZP5-3 | ZPA ЛАР | F |
| 43 | ZP2-46 | ZP9-4 | +WTLK ПЛВК | F |
| 44 | ZP2-47 | X-59 | +PSW +ПБМ | F |
| 45 | ZP2-48 | X-40 | +WLT6 +ВЛМ6 | F |
| 46 | ZP2-49 | ZP7-40 | -PM -ПРМС | F |
| 47 | ZP2-50 | ZP7-39 | -GOT -ГОТ | F |
| 48 | ZP2-51 | ZP7-38 | +GOT +ГОТ | F |
| 49 | ZP2-52 | ZP7-37 | -DR -ДРЕ | F |
| 50 | ZP2-53 | ZP7-36 | -KS -СБРОС | F |
| 51 | ZP2-54 | X-46 | L6 Л6 | F |
| 52 | ZP2-55 | X-45 | L8 Л8 | F |
| 53 | ZP2-56 | ZP7-35 | -TW -ТМ | F |
| 54 | ZP2-57 | ZP7-1 | -KPA -КАР | F |
| 55 | ZP2-58 | ZP5-7 | -KPA -КАР | F |
| 56 | ZP2-59 | ZP7-17 | +INT φ +ИНФТ φ | F |
| 57 | ZP2-60 | ZP7-18 | +INT 1 +ИНФТ1 | F |
| 58 | ZP2-61 | ZP7-15 | +INT 2 +ИНФТ2 | F |
| 59 | ZP2-62 | ZP7-14 | +INT 3 +ИНФТ3 | F |
| 60 | ZP2-63 | ZP7-13 | +INT 4 +ИНФТ4 | F |
| 61 | ZP2-64 | ZP7-12 | +INT 5 +ИНФТ5 | F |
| 62 | ZP2-65 | ZP7-11 | +INT 6 +ИНФТ6 | F |
| 63 | ZP2-66 | ZP7-10 | +INT 7 +ИНФТ7 | F |
| 64 | ZP2-67 | ZP7-9 | +INW1 +ИНТБ1 | F |
| 65 | ZP2-68 | ZP7-8 | +INW2 +ИНТБ2 | F |
| 66 | ZP2-69 | ZP7-7 | -WS -ПРП | F |

| Lp n/n | Skad otkrycia | Dokad krycia | Nazwa sygnatu Наименование сигнала | Uwagi Примечания |
|-----------|------------------|-----------------|---------------------------------------|---------------------|
| 61 | ZP3-31 | ZP5-6 | -WS -ПРП | |
| 62 | ZP3-32 | ZP7-6 | -ZPF ВПФ | F |
| 63 | ZP3-33 | ZP7-5 | +JNW4 +ИНТБ4 | |
| 64 | ZP3-34 | ZP7-4 | +JNW8 +ИНТБ8 | |
| 65 | ZP3-35 | ZP7-3 | -PUF -УПФ | F |
| 66 | ZP3-36 | ZP7-2 | -MPX -МПКС | F |
| 67 | ZP3-37 | X-13 | +WLT φ +ВЛМ φ | |
| 68 | ZP6-1 | X-12 | +WLT 1 +ВЛМ 1 | |
| 69 | ZP6-2 | ZP9-27 | AKTB АККЛ | |
| 70 | ZP6-3 | ZP9-26 | BRTB ОКЛ | |
| 71 | ZP6-5 | ZP9-25 | PTS КЛЗ | |
| 72 | ZP6-6 | M2-13 | -PNG -ПНГ | F |
| 73 | ZP6-7 | M2-8 | +KAS +СБР | F |
| 74 | ZP6-9 | M3-3 | T | F |
| 75 | ZP6-25 | M2-12 | +KNGOT +КНГОТ | F |
| 76 | ZP6-10 | X-8 | -SNI -ИН1 | |
| 77 | ZP6-11 | X-9 | -SN2 -ИН2 | |
| 78 | ZP6-12 | X-10 | -SN4 -ИН4 | |
| 79 | ZP6-16 | X-11 | -SN3 -ИН3 | |
| 80 | ZP6-17 | X-53 | -GSIL -ГД | |
| 81 | ZP6-23 | X-66 | -BCF -ОСТ | F |
| 82 | ZP6-24 | M3-6 | -KAS -СБР | F |
| 83 | ZP6-8 | M3-11 | -AWM -АУМ | F |
| 84 | ZP6-27 | M3-8 | +AWM +АУМ | F |
| 85 | ZP6-28 | ZP8-7 | -S -С | F |
| 86 | ZP6-29 | ZP8-8 | -ZIWK -ПТВК | F |
| 87 | ZP6-30 | ZP9-24 | +BPWZ +КБ | F |
| 88 | ZP6-31 | ZP9-23 | POP ППБ | F |
| 89 | ZP6-33 | ZP9-22 | OK ОК | F |
| 90 | ZP6-34 | ZP9-20 | BPWM НБМ | F |
| 91 | ZP6-35 | M2-5 | +KGT +КГОТ | F |
| 92 | ZP6-36 | M1-11 | KSTT КСТ | F |
| 93 | ZP6-37 | M1-3 | KPS КПБ | F |
| 94 | ZP6-38 | X-33 | -BLMX -БЛМК | F |
| 95 | ZP6-39 | X-32 | -LEM -ЭЛ | F |
| 96 | ZP6-40 | X-30 | +MR +МР | F |
| 97 | ZP6-41 | X-81 | C21 | |
| 98 | ZP6-42 | ZP9-11 | C21 | |
| 99 | ZP6-43 | X-82 | C22 | |
| 100 | ZP6-44 | ZP9-12 | C22 | |
| 101 | ZP6-45 | X-79 | C23 | |
| 102 | ZP6-46 | ZP9-13 | C23 | |
| 103 | ZP6-47 | X-80 | C24 | |
| 104 | ZP6-48 | ZP9-14 | C24 | |
| 105 | ZP6-49 | X-77 | C25 | |
| 106 | ZP6-50 | ZP9-15 | C25 | |
| 107 | ZP7-24 | X-78 | C26 | |
| 108 | ZP7-25 | X-75 | C26 | |
| 109 | ZP7-26 | ZP9-16 | C26 | |
| 110 | ZP7-27 | X-76 | C27 | |
| 111 | ZP7-33 | ZP9-17 | C27 | |
| 112 | ZP7-34 | X-77 | C28 | |
| 113 | ZP7-41 | ZP9-18 | C28 | |
| 114 | ZP7-42 | X-72 | PF2 Pф3 | |
| 115 | ZP7-43 | X-70 | -W -М | |
| | | ZP8-9 | -W -М | |
| | | X-65 | -DB -ОБ | |
| | | ZP9-21 | -DB -ОБ | |
| | | X-67 | +DP | |
| | | X-73 | -SF | |
| | | X-74 | -DRK -ДРК | |
| | | X-69 | 6/8 | |
| | | X-52 | -STC -СТСТ | |
| | | ZP8-10 | -BSP -БПМ | |
| | | X-39 | LT6 ЛТ6 | |
| | | X-38 | LT7 ЛТ7 | |
| | | ZP9-28 | -Z11 -С11 | |

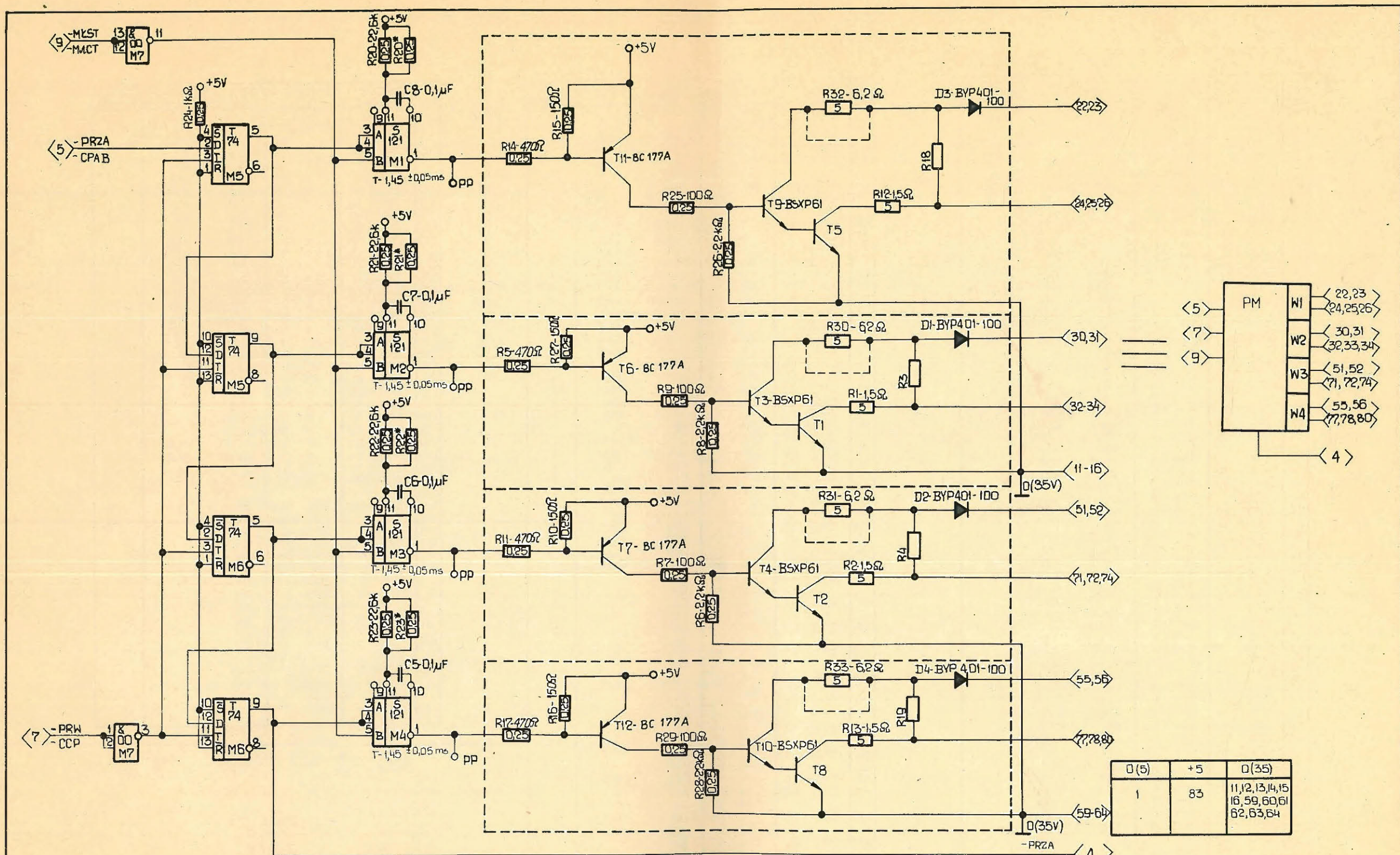
| Lp n/n | Skad otkrycia | Dokad krycia | Nazwa sygnatu Наименование сигнала | Uwagi Примечания |
|-----------|------------------|-----------------|---------------------------------------|---------------------|
| | | ZP8-11 | -Z11 -С11 | |
| 116 | ZP7-44 | X-29 | -Z11 -С11 | |
| 117 | ZP7-45 | X-26 | LT8 ЛТ8 | |
| 118 | ZP7-46 | X-25 | LT5 ЛТ5 | |
| 119 | ZP7-47 | X-23 | LT4 ЛТ4 | |
| 120 | ZP7-48 | X-18 | LT3 ЛТ3 | |
| 121 | ZP7-49 | X-17 | LT2 ЛТ2 | |
| 122 | ZP7-50 | X-15 | LT φ ЛТ φ | |
| 123 | ZP8-12 | X-14 | LT1 ЛТ1 | |
| 124 | ZP8-13 | X-3 | -Z5W -И5В | |
| 125 | ZP8-14 | X-4 | -Z12W -И12В | |
| 126 | ZP8-15 | X-5 | -Z5W -ТСВ | |
| 127 | ZP8-16 | X-6 | +PZ +СТ | |
| 128 | ZP8-17 | X-7 | -ZMW -ИМВ | |
| 129 | ZP8-18 | X-21 | ZWL ТВК | |
| 130 | ZP8-19 | X-51 | WLS _{solno} ВДМ | |
| 131 | ZP8-20 | X-54 | WLS _{sybk} ВДБ | |
| 132 | ZP8-37 | M3-9 | AWM1 АУМ1 | F |
| 133 | ZP9-5 | X-55 | WKS-KO +ВДЛБ | F |
| 134 | ZP9-6 | M3-1 | T2 Т2 | F |
| 135 | ZP9-29 | M3-2 | T1 Т1 | |
| 136 | ZP9-30 | X-62 | CL8 | |
| 137 | ZP9-31 | X-61 | CL6 | F |
| 138 | ZP9-32 | X-64 | CMAR | |
| 139 | ZP9-33 | X-63 | CSY | |
| 140 | ZP9-34 | X-68 | KTW ККЛ | |
| 141 | ZP9-35 | X-71 | -WESP -ВКМ | |
| 142 | ZP9-23 | X-48 | | |
| 143 | | | | |
| 144 | ZP4-1,6,7 | ZP1-9,4,5 | +5V | |
| 145 | | X-83,84 | +5V | |
| 146 | | ZP9-3 | +5V | |
| 147 | ZP4-4,5,9 | ZP1-126 | OV | |
| | | ZP2-7,8 | OV | |
| | | ZP6-18-22 | OV | |
| | | ZP7-18-23 | OV | |
| | | ZP5-5 | OV | |
| | | ZP8-27-35 | OV | |
| | | ZP9-7-10,19 | OV | |
| | | X-1,2 | | |
| 148 | ZP4-38 | ZP1-8 | +5V | |
| | | X-41,42 | | |
| 149 | ZP4-2 | ZP1-7 | +24V | |
| | | ZP5-4 | +24V | |
| | | ZP9-1 | +24V | |

ZESPOL: PLYTKA KOMPLETNA 35 - 1034

15 - 2

UZEL: PECATNAJA PLATA 35 - 1034

401 - 01
401 - 02
402



1. Dla tranzystorów T1, T2, T5, T8 typu KU607, rezystory R3, R4, R13, R19 - 12Ω 1W, w miejscach rezystorów R30, R31, R32, R33 wykonana jest zwora.

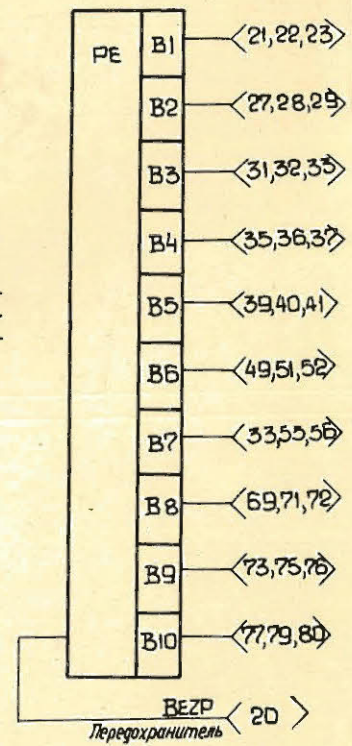
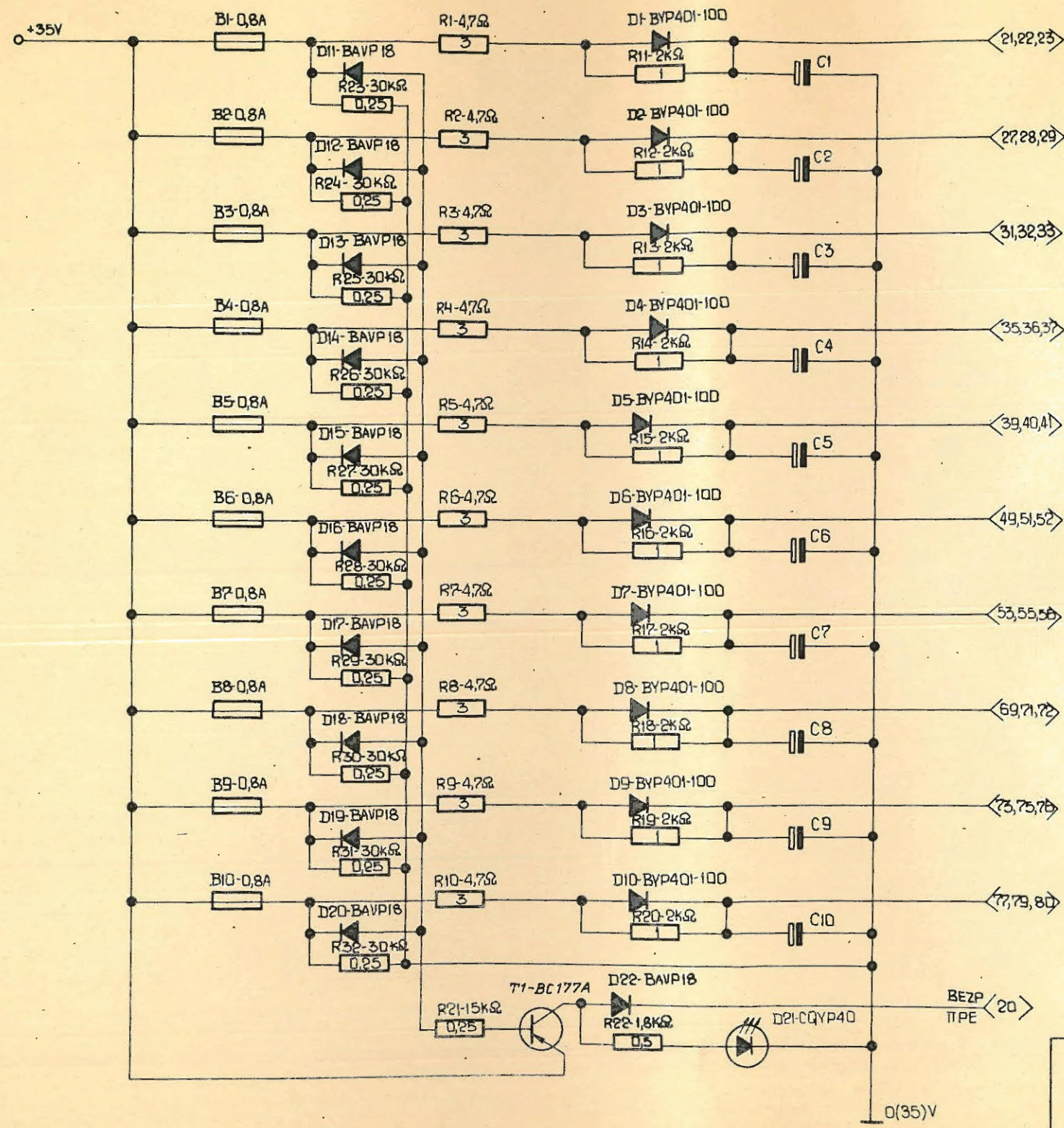
2. Dla tranzystorów T1, T2, T5, T8 typu KD502, 2N 3055, BDP520, rezystory R3, R4, R12, R19, R30, R31, R32, R33 mają wartości 6,2Ω 5W

1. Транзисторам T1, T2, T5, T8 типа КУ607 резисторы R3, R4, R13, R19 - 12Ω 1W в местах резисторов R30, R31, R32, R33 изготовлена перемычка

2. Транзисторам T1, T2, T5, T8 типа КД502, 2N 3055, ВД520, резисторы R3, R4, R12, R19, R30, R31, R32, R33 имеют сопротивление 6,2Ω 5W

| | | |
|------|----|---|
| 0(5) | +5 | 0(35) |
| 1 | 83 | 11,12,13,14,15 16,59,60,61 62,63,64 |

| | | |
|---------|------------------|------------------------|
| ZESPÓŁ: | PAKIET 70 - 1004 | 16 - 1 |
| UZEL: | T93 70 - 1004 | 401 - 02 402 403 |



| | |
|---------|---------|
| 0(35)V | +35 |
| 11 ÷ 16 | 43 ÷ 48 |
| 59 ÷ 66 | |

| | | |
|---------|------------------|------------------------|
| ZESPOT: | PAKIET 70 - 1006 | 17 - 1 |
| УЗЕЛ: | T93 70 - 1006 | 401 - 02 402 403 |